

**VANDAL-RESISTANT EASY ACCESS
BACKFLOW ENCLOSURE**

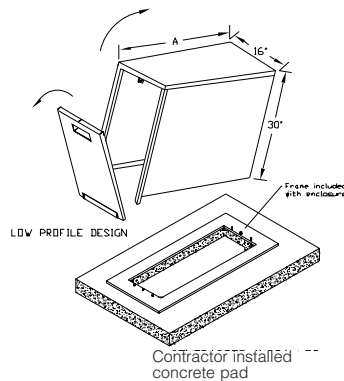
- Marine grade aluminum alloy construction provides lasting durability and strength, with light weight for ease of handling
- 100% stainless steel hardware assures long-term, rust proof durability and additional strength
- Enclosures secured to mounting hardware providing easy access for service and repair
- Flush-mounted locking mechanism and solid sheet construction ensures maximum security
- Chameleon effect of the natural finish provides an unobtrusive quality
- Five year limited warranty
- All aluminum enclosures may be powder coated in many colors at an extra charge

Low Profile Enclosure

	"A" Length	Height	Width
SBBC-22AL	22"	30"	16.25"
SBBC-30AL	30"	30"	16.25"
SBBC-45AL	45"	30"	16.25"

Note: For inside dimensions, see Backflow Cover Sizing Chart on pages 14-15.

- Marine grade aluminum
- Stainless steel hardware
- Weather resistant
- Patented locking system accepts padlock



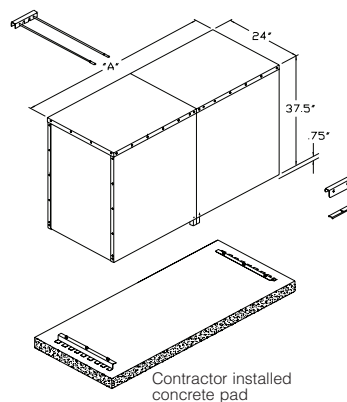
SPECIFICATION ON PAGE 48

High Profile Two Piece Enclosure

	"A" Length	Height	Width
SBBC-40ALHP	40"	39"	24"
SBBC-60ALHP	60"	39"	24"
SBBC-75ALHP	75"	39"	24"
SBBC-90ALHP	90"	39"	24"

Note: For inside dimensions, see Backflow Cover Sizing Chart on pages 14-15.

- Marine grade aluminum
- Stainless steel hardware
- Weather resistant
- Patented locking system accepts padlock



SPECIFICATION ON PAGE 49