

## ALL WEATHER INSULATED BACKFLOW ENCLOSURE

- Marine grade aluminum alloy construction provides lasting durability and strength, with light weight for ease of handling
- 100% stainless steel hardware assures long-term, rust proof durability and additional strength
- Enclosures secured to mounting hardware providing easy access for service and repair
- Flush-mounted locking mechanism and solid sheet construction ensures maximum security
- Chameleon effect of the natural finish provides an unobtrusive quality
- R-30 insulation value Polar Bearier Blanket\*
- Flexible rubber skirt provides protection from wind but allows drainage
- Five year limited warranty
- All aluminum enclosures may be powder coated in many colors at an extra charge

\*Polar Bearier Blankets for insulating backflow devices included as insulation for insulated enclosures

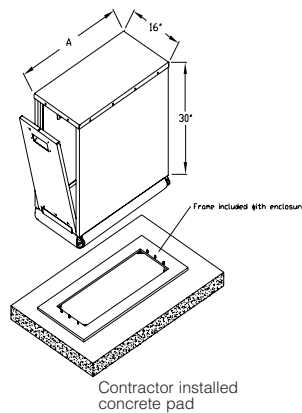
### Low Profile Insulated Enclosure

	"A" Length	Height	Width
SBBC-22ALI	22"	30"	16.25"
SBBC-30ALI	30"	30"	16.25"
SBBC-45ALI	45"	30"	16.25"

Note: For inside dimensions, see Backflow Cover Sizing Chart on pages 14-15.

- Marine grade aluminum
- Stainless steel hardware
- Weather resistant
- Patented locking system accepts padlock

**SPECIFICATION ON PAGE 50**



### High Profile Insulated Two Piece Enclosure

	"A" Length	Height	Width
SBBC-40ALHPI	40"	39"	24"
SBBC-60ALHPI	60"	39"	24"
SBBC-75ALHPI	75"	39"	24"
SBBC-90ALHPI	90"	39"	24"

Note: For inside dimensions, see Backflow Cover Sizing Chart on pages 14-15.

- Marine grade aluminum
- Stainless steel hardware
- Weather resistant
- Patented locking system accepts padlock

**SPECIFICATION ON PAGE 51**

