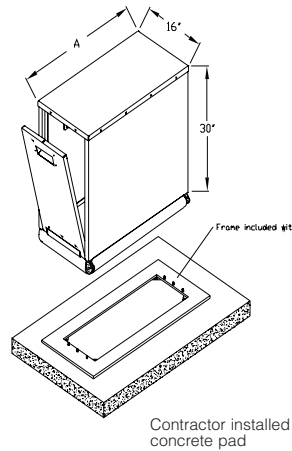


## Insulated Front Entry Enclosure

	"A" Width	Height	Depth
SBBC-22ALI	22"	30"	16"
SBBC-30ALI	30"	30"	16"
SBBC-45ALI	45"	30"	16"
SBBC-60ALI	60"	30"	16"

Note: For inside dimensions, see Backflow Cover Sizing Chart on pages 26-27.

- Marine grade aluminum
- Stainless steel hardware
- R-19 insulation value Polar Bearier cover and Flexible rubber skirt included
- Flush-mounted locking system accepts padlock
- 5 year limited warranty



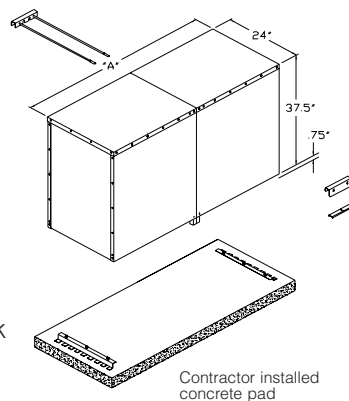
**SPECIFICATIONS ON PAGE 30**

## Insulated Clamshell Entry Two Piece Enclosure

	"A" Width	Height	Depth
SBBC-40ALHPI	40"	39"	24"
SBBC-60ALHPI	60"	39"	24"
SBBC-75ALHPI	75"	39"	24"
SBBC-90ALHPI	90"	39"	24"

Note: For inside dimensions, see Backflow Cover Sizing Chart on pages 26-27.

- Marine grade aluminum
- Stainless steel hardware
- R-19 insulation value Polar Bearier cover and Flexible rubber skirt included
- Patented locking system accepts padlock
- 5 year limited warranty

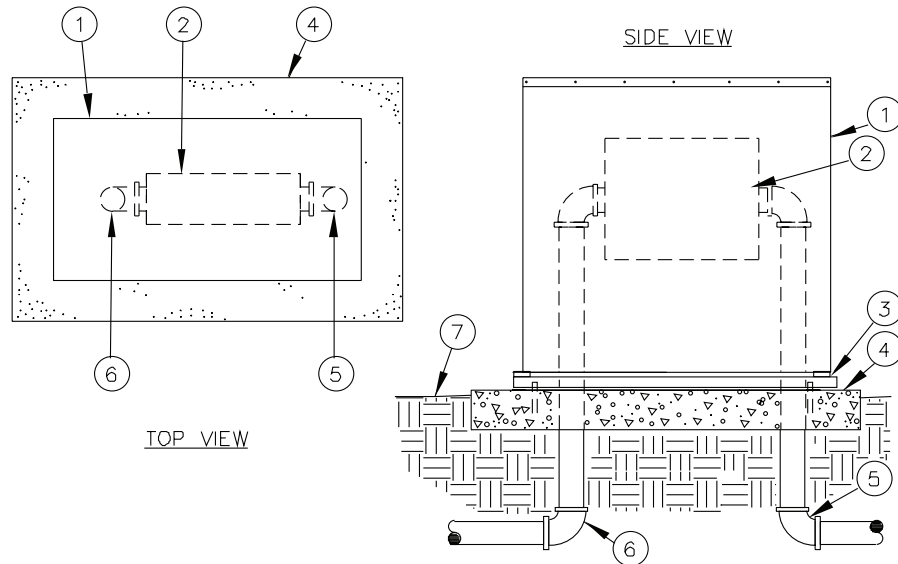


**SPECIFICATIONS ON PAGE 31**

## INSTALLATION DETAILS

# FRONT ENTRY INSULATED ENCLOSURE

**MODELS: SBBC-22ALI, SBBC-30ALI,  
SBBC-45ALI, SBBC-60ALI**



1. Aluminum Backflow Enclosure
2. Backflow Preventer
3. Framed Mounting Base – powder coated polymer with anchors inset for enclosure and anchor bolts for concrete
4. Poured Concrete Base – 6” minimum thickness – extend 4” beyond outside dimensions of enclosure
5. Water Service Inlet Piping
6. Water Service Outlet Piping
7. Finish Grade

## SPECIFICATIONS

This backflow enclosure is a vandal and weather resistant enclosure formed entirely of marine grade 5052-H32 aluminum alloy, with a wall thickness of 1/8 inch. The main housing is a solid sheet construction with stainless steel carriage bolts used for assembling enclosure top and ends. The mounting base plate is formed of powder coated

stainless steel and is mounted flush with the concrete surface using supplied L-bolt anchors. The enclosure door drops down and the body lifts open, pivoting from the back edge mounted to the base. The enclosure stays secure to the mounting base plate in open and closed positions with hidden stainless steel hardware. The enclosure door

includes a recessed handle and provisions for a padlock. Insulated Polar Bearier bag protects the backflow device from freezing temperatures. Polar Bearier bags provide an R19 insulation rating using Radiant Barrier Foil (RBF) inserted between acrylic polyester and air bubble pack. The Polar Bearier bag is also impervious to moisture.