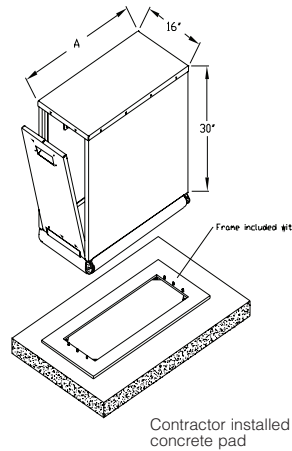


Insulated Front Entry Enclosure

	"A" Width	Height	Depth
SBBC-22ALI	22"	30"	16"
SBBC-30ALI	30"	30"	16"
SBBC-45ALI	45"	30"	16"
SBBC-60ALI	60"	30"	16"

Note: For inside dimensions, see Backflow Cover Sizing Chart on pages 26-27.

- Marine grade aluminum
- Stainless steel hardware
- R-19 insulation value Polar Bearier cover and Flexible rubber skirt included
- Flush-mounted locking system accepts padlock
- 5 year limited warranty



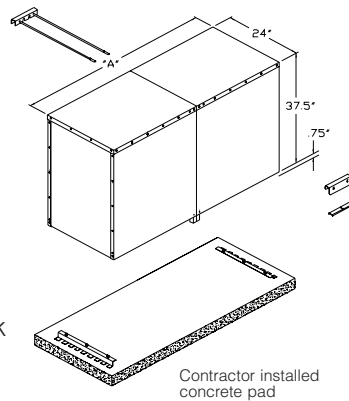
SPECIFICATIONS ON PAGE 30

Insulated Clamshell Entry Two Piece Enclosure

	"A" Width	Height	Depth
SBBC-40ALHPI	40"	39"	24"
SBBC-60ALHPI	60"	39"	24"
SBBC-75ALHPI	75"	39"	24"
SBBC-90ALHPI	90"	39"	24"

Note: For inside dimensions, see Backflow Cover Sizing Chart on pages 26-27.

- Marine grade aluminum
- Stainless steel hardware
- R-19 insulation value Polar Bearier cover and Flexible rubber skirt included
- Patented locking system accepts padlock
- 5 year limited warranty

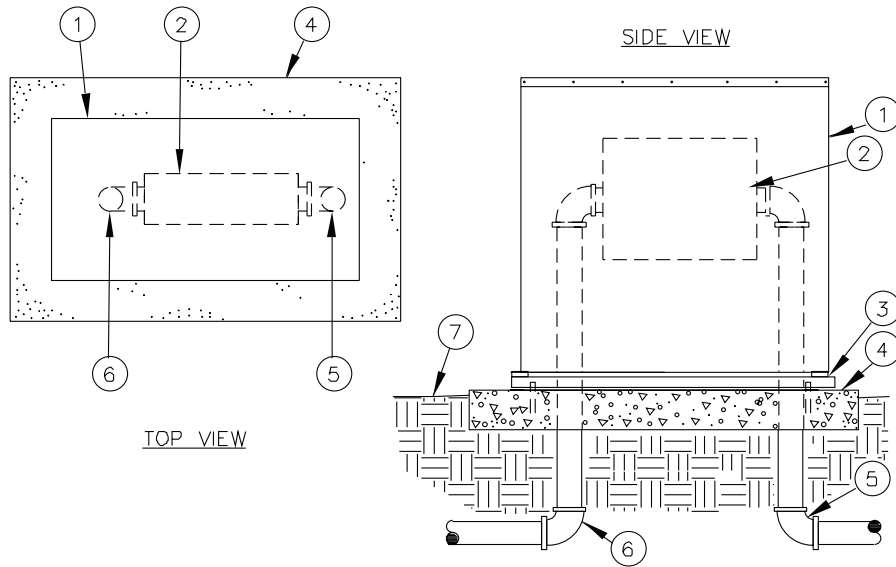


SPECIFICATIONS ON PAGE 31

INSTALLATION DETAILS

FRONT ENTRY INSULATED ENCLOSURE

**MODELS: SBBC-22ALI, SBBC-30ALI,
SBBC-45ALI, SBBC-60ALI**



1. Aluminum Backflow Enclosure
2. Backflow Preventer
3. Framed Mounting Base – powder coated polymer with anchors inset for enclosure and anchor bolts for concrete
4. Poured Concrete Base – 6” minimum thickness – extend 4” beyond outside dimensions of enclosure
5. Water Service Inlet Piping
6. Water Service Outlet Piping
7. Finish Grade

SPECIFICATIONS

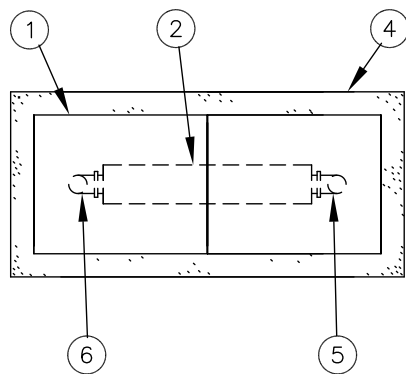
This backflow enclosure is a vandal and weather resistant enclosure formed entirely of marine grade 5052-H32 aluminum alloy, with a wall thickness of 1/8 inch. The main housing is a solid sheet construction with stainless steel carriage bolts used for assembling enclosure top and ends. The mounting base plate is formed of powder coated

stainless steel and is mounted flush with the concrete surface using supplied L-bolt anchors. The enclosure door drops down and the body lifts open, pivoting from the back edge mounted to the base. The enclosure stays secure to the mounting base plate in open and closed positions with hidden stainless steel hardware. The enclosure door

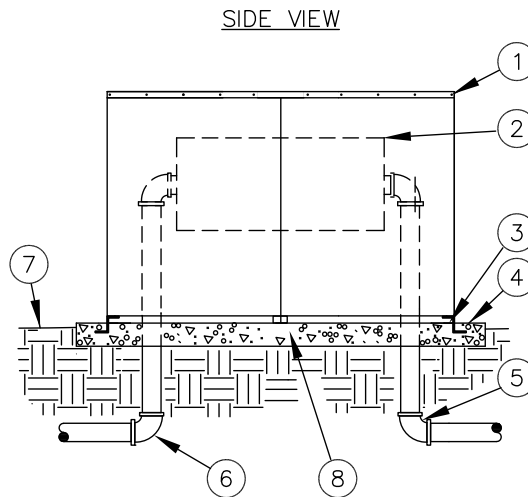
includes a recessed handle and provisions for a padlock. Insulated Polar Bearier bag protects the backflow device from freezing temperatures. Polar Bearier bags provide an R19 insulation rating using Radiant Barrier Foil (RBF) inserted between acrylic polyester and air bubble pack. The Polar Bearier bag is also impervious to moisture.

INSTALLATION DETAILS

**CLAMSHELL ENTRY
INSULATED ENCLOSURE**
MODELS: SBBC-40ALHPI, SBBC-60ALHPI,
SBBC-75ALHPI, SBBC-90ALHPI



TOP VIEW



SIDE VIEW

- | | |
|---|--------------------------------|
| 1. Aluminum Backflow Enclosure | 5. Water Service Inlet Piping |
| 2. Backflow Preventer | 6. Water Service Outlet Piping |
| 3. Anchor Rake Brace | 7. Finish Grade |
| 4. Poured Concrete Base – 6" minimum thickness – extend 4" beyond outside dimensions of enclosure | 8. Enclosure Foot |

SPECIFICATIONS

This backflow enclosure is a vandal and weather resistant enclosure formed entirely of marine grade 5052-H32 aluminum alloy, with a wall thickness of 1/8 inch. The main housing is a solid sheet construction punched on the sides with a rectangular pattern for viewing backflow operation. The mounting base plate is formed of powder coated

stainless steel and secured with provided anchor plates into wet concrete or anchor bolts a minimum of 2 inches deep into cured concrete. The center split design allows enclosure sides to swing out, pivoting on the mounting hardware at each end. The full release locking mechanism is a stainless steel cross bar that includes provisions for a padlock.

Insulated Polar Bearier bag protects the backflow device from freezing temperatures. Polar Bearier bags provide an R19 insulation rating using Radiant Barrier Foil (RBF) inserted between acrylic polyester and air bubble pack. The Polar Bearier bag is also impervious to moisture.