

DSP Dual Service Pedestal

- 26" Wide, 50" High, 17.25" Deep
- Double door design with lift-up top section
- Hinged viewing window for easy programming
- All access points include padlock provisions
- Caltrans Type III-CF compliant
- EUSERC 308 Compliant
- NEMA TYPE 3R Rated UL 508A Listed
- Metered and Unmetered Available
- Anchor bolts included
- 5 Year Limited Warranty

METER SECTION

- Meter Socket: 4 Jaw, 100 Amp
- 120 or 240v models available
- Meter Socket with Test Blocks
- Utility Landing Lugs: 200 Amps

CUSTOMER SECTION

- 11" x 14" customer usable area
- 100 amp load centers with up to 16 circuits (per meter)



SPECIFICATIONS ON PAGE 49

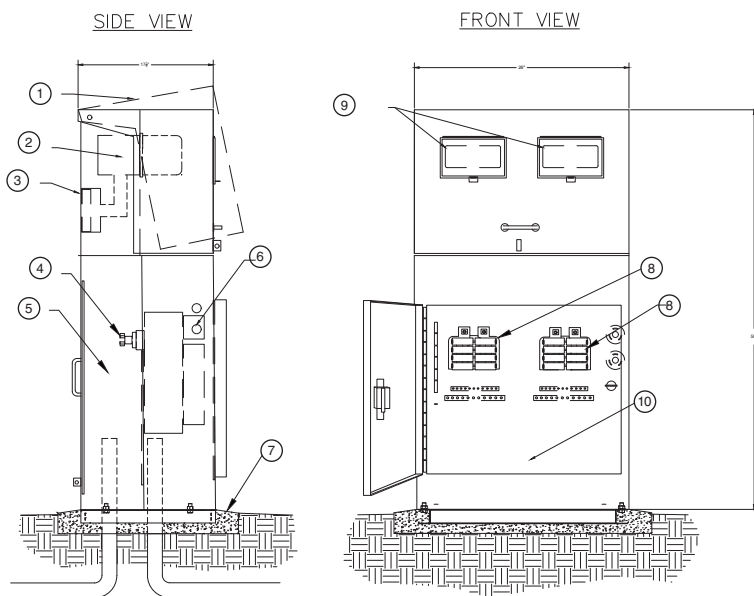
DSP Standard Model Numbers

Model No	Main Amps	Voltage	Phase	Jaw	Wires	AIC Rating	Breaker Positions
DSP-11008-10	100A 100A	120/240	1	4	3	10,000	8 8
DSP-11008-22	100A 100A	120/240	1	4	3	22,000	8 8
DSP-11008-65	100A 100A	120/240	1	4	3	65,000	8 8
DSP-11016-10	100A 100A	120/240	1	4	3	10,000	16 16
DSP-11016-22	100A 100A	120/240	1	4	3	22,000	16 16
DSP-11016-65	100A 100A	120/240	1	4	3	65,000	16 16

T-Fuse available on select models. No-distribution options available upon request.

INSTALLATION DETAILS

DSP DUAL METER PEDESTAL



1. Hinged removable lid
2. Meter socket
3. Test blocks
4. Landing lugs
5. Utility Section
6. Photocell with test switch
7. Poured concrete base—6" min. thickness—extend 6" beyond outside dimensions of enclosure with 1/2% slope for drainage
8. Load Centers
9. Meter viewing windows
10. Customer Section

SPECIFICATIONS

The DSP series dual-meter pedestals are vandal and weather resistant enclosures made entirely of 14-gauge stainless steel, using welded construction and having a #4 brushed finish. The meter section is located at the top-front of the pedestal and houses EUSERC approved meter sockets and test blocks. The top cover is top-swing style and can be opened more than 180 degrees to provide clear access to meter socket and test blocks. Fully hemmed construction eliminates the potential for sharp edges. The top cover is attached using two heavy-duty 3/8" stainless steel bolts that when removed, allow

complete removal of the top cover if necessary. Two replaceable 3/16" thick polycarbonate viewing windows are provided for meter reading. The meter section accepts ring style meters, and the meter face may be removed without disconnecting the meter bulb.

The customer section is located on the lower front of the pedestal. This section is outfitted with a continuously welded and fully hemmed stainless steel door that is secured with a T-handle style latching system hidden behind a flush-mounted access door. The door includes a full length piano hinge installed using carriage

bolts. The compartment houses two load centers with over current protective devices. A dead front panel is included to guard against exposure to live electrical circuits. The utility landing section is located on the rear side with a removable panel for full access to the landing lugs. The landing lugs are made of aluminum using hexagonal screws for tightening. All doors are equipped with watershed drainage channels and provisions for a padlock, ensuring a watertight and vandal resistant design. The entire enclosure is rated Type 3R, UL508A listed and complies with EUSERC electrical standards and current NEC codes.