

**SB-24SS/240V  
Metered Enclosure 240 Volt**

- 24" Wide, 48" High, 29" Deep
- 100% Stainless Steel
- Three point locking system with padlock provisions
- Double door design
- 12" deep storage with removable backboard
- EUSERC 309 Compliant
- NEMA TYPE 3R Rated UL 508A Listed
- Mounting template and anchor bolts included
- 10 year limited warranty

**METER SECTION**

- 24" Wide, 31" High, 15" Deep
- Meter Socket: 4 Jaw, 100 Amps
- 240 Volt Meter Socket with Test Blocks
- 8 Position, 100 Amp Load Center
- Hinged viewing window

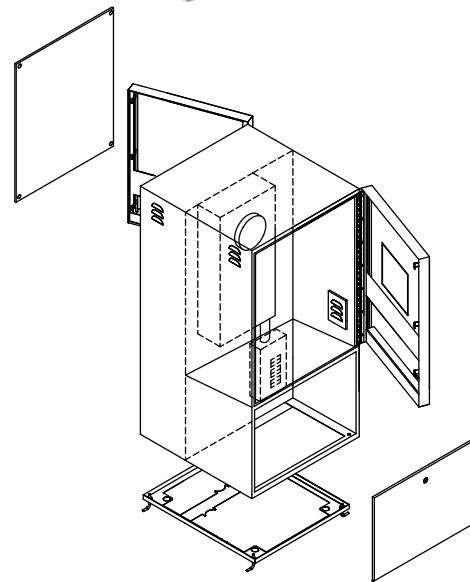
**CUSTOMER SECTION**

- 10" Wide, 11" High 15" Deep usable area
- Removable, pre-drilled backboard
- Large door-mounted storage area and literature storage pocket
- Filtered Side Louvers

**STORAGE SECTION**

- 24" Wide 48" High 10" Deep

**SPECIFICATIONS ON PAGE 50**



**SB Metered Enclosure Standard Model Numbers**

Model No	Main Amps	Voltage	Phase	Jaw	Wires	Breaker Positions
SB-24SS-240V	100	120/240	1	4	3	8

**PED-24SS-240V**

For SB24SS/240V metered enclosure

- 24.5" Wide, 24" Deep, 12" High

