
About Us.....	2
Stainless Enclosure Overview.....	3
Heavy-Duty Stainless Steel Enclosures.....	4-9
Light-Duty Stainless Steel Cabinets.....	10-11
Controller Charts.....	12-13
NEMA 4X Enclosures.....	14
Heavy & Light-Duty Specifications.....	15-20
Backflow Enclosure & Cage Overview.....	21
Backflow Enclosures.....	22-23
Backflow Cages & Covers.....	24-27
Backflow Size Chart.....	28-29
Backflow Specifications.....	30-38
Meter Pedestal & Enclosure Overview.....	39
Commercial Meter Pedestals.....	40-45
Meter Pedestal Service Options.....	46
Commercial Meter Specifications.....	47-52
Enclosure Accessories.....	53-56
Tree & Sprinkler Supports.....	57-59
Tree & Sprinkler Specifications.....	60-63
Frequently Asked Questions(FAQ).....	64-65
Quality Material Comparison.....	66
Limited Trade Warranties.....	67

ABOUT US

StrongBox was founded in 1985 to meet the need for weather and vandal resistant enclosures in the irrigation sector. In 1991, StrongBox joined V.I.T. Products, Inc. to add quality tree and sprinkler supports to our product list. Now a division of MUM Industries, StrongBox is a leader in stainless steel and aluminum enclosures, spanning across numerous industries and applications. Our main office and factory is located in Escondido, California with representation throughout the United States and Canada.



QUALITY PRODUCTS & SERVICES

StrongBox manufactures the finest metal enclosures available for protecting electrical controls, power meters, pumps, backflow prevention devices, and more. We also provide a quality line of tree and sprinkler support products used by landscape architects across the country.

Engineers, installers and specifiers all look to StrongBox for top-notch products that last – even in harsh environments! And, by maintaining a wide variety of inventory for immediate shipping, we can provide you with the products you need, when you need them.

For highly specific applications and OEM designs, we also offer fully customized enclosures. Committed to the highest standards of design, we can custom manufacture and machine enclosures complete with UL listed panel assemblies, to your specifications.





THE ULTIMATE STAINLESS STEEL ENCLOSURE

WEATHER RESISTANT – VANDAL RESISTANT

- 100% stainless steel construction assures long-term, rustproof durability and additional strength
- Three point locking mechanism, flush mounted access handle and heavy duty continuous hinge ensures maximum security
- Removable, pre-drilled backboard allows for easy component installation and attractive finished product
- Filtered side louvers at bottom and top allow passive cross flow ventilation
- Door mounted storage pocket provides easy access to literature and plans (not included on light-duty enclosures)
- Chameleon effect of the natural brushed stainless steel finish provides an unobtrusive quality
- All stainless steel enclosures may be powder coated in many colors at an additional charge
- NEMA TYPE 3R rated and UL 508A Listed
- Ten year limited warranty

FRONT ENTRY



Offers maximum, long lasting protection for harsh outdoor environments, plus convenient front entry access with our re-designed T-handle latching system.

TOP ENTRY



The continuously hinged flip top access provides easy viewing and programming of meters and irrigation control systems.

WALL MOUNT



Conveniently store your controllers up and out of the way with our heavy-duty wall mount enclosures.

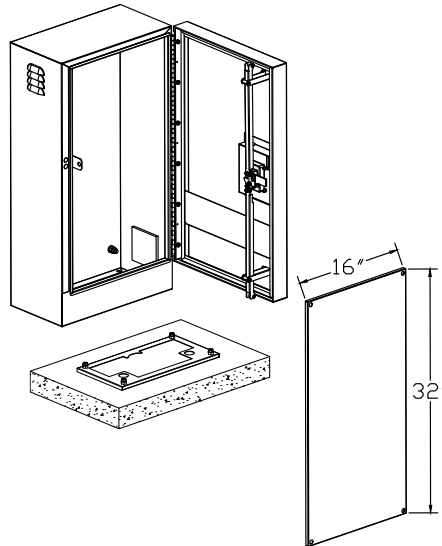
LIGHT-DUTY



Perfect for mild or indoor applications. Slim design and flush mounted doors create an attractive, space-saving storage solution for your controller.

**SB-18SS
18" Wide Enclosure**

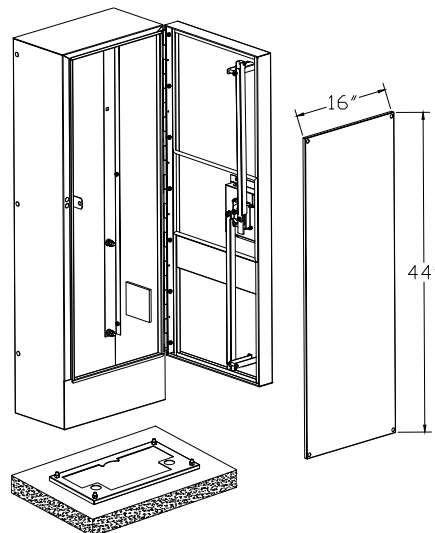
- 18" Wide, 36" High, 12" Deep
- Three point locking door
- Padlock security provisions
- Mounting template and J bolt anchors included
- Pre-drilled removable backboard
- NEMA TYPE 3R Weatherproof

SPECIFICATION ON PAGE 15**PED-18SS
12" Riser Pedestal**

- 18" Wide, 12" High, 10" Deep
- Stainless Steel
- Hardware installed

**SB-1852SS
Service Pedestal
Companion Enclosure**

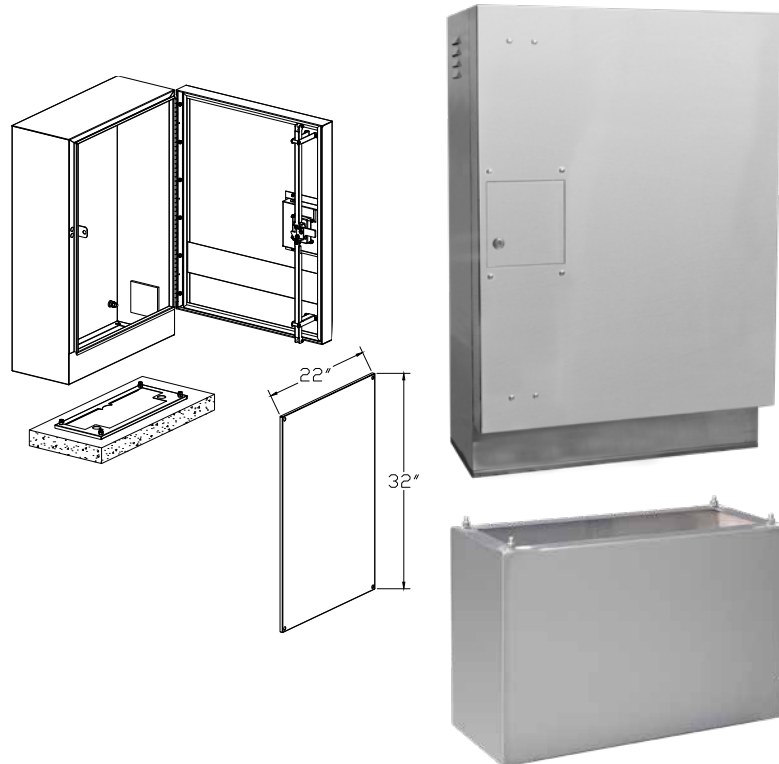
- 18" Wide, 52" High, 12" Deep
- Three point locking door
- Padlock security provisions
- Mounting template and J bolt anchors sold separately
- Pre-drilled removable backboard
- NEMA TYPE 3R Weatherproof

SPECIFICATION ON PAGE 15**PT-TEMP1852**

Mounting template and hardware

**SB-24SS
24" Wide Enclosure**

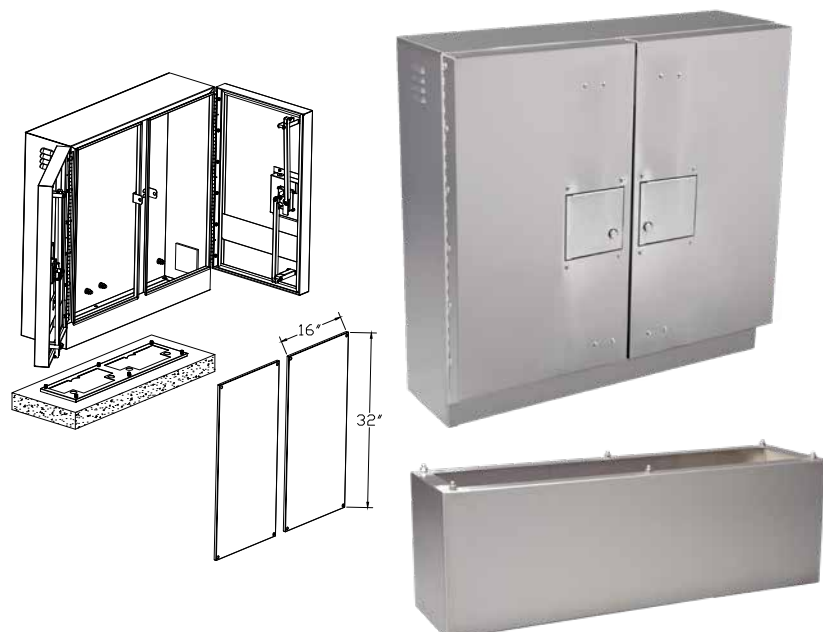
- 24" Wide, 36" High, 12" Deep
- Three point locking door
- Padlock security provisions
- Mounting template and J bolt anchors included
- Pre-drilled removable backboard
- NEMA TYPE 3R Weatherproof

SPECIFICATION ON PAGE 15**PED-24SS
12" Riser Pedestal**

- 24" Wide, 12" High, 10" Deep
- Stainless Steel
- Hardware installed

**SB-36SS
36" Wide Enclosure**

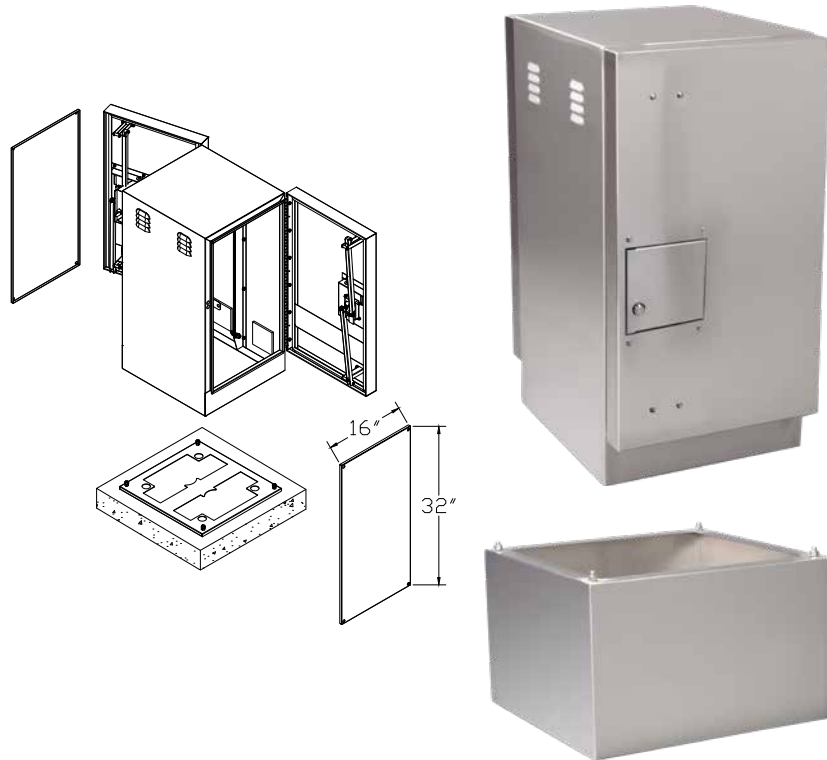
- 36" Wide, 36" High, 12" Deep
- Three point locking door
- Padlock security provisions
- Mounting template and J bolt anchors included
- Two pre-drilled removable backboards
- NEMA TYPE 3R Weatherproof

SPECIFICATION ON PAGE 15**PED-36SS
12" Riser Pedestal**

- 36" Wide, 12" High, 10" Deep
- Stainless Steel
- Hardware installed

**SB-18DSS
Service Pedestal**

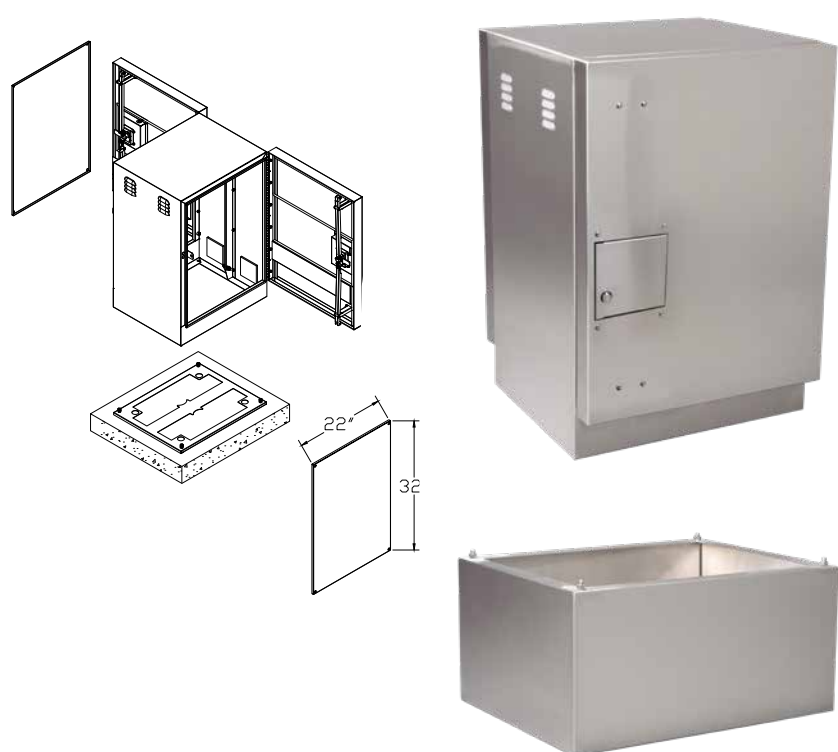
- 18" Wide, 36" High, 24" Deep
- Three point locking door
- Padlock security provisions
- Mounting template and J bolt anchors included
- Pre-drilled removable backboard
- NEMA TYPE 3R Weatherproof

SPECIFICATION ON PAGE 15**PED-18DSS
12" Riser Pedestal**

- 18" Wide, 12" High, 20" Deep
- Stainless Steel
- Hardware installed

**SB-24DSS
24" Wide Double Door
Enclosure**

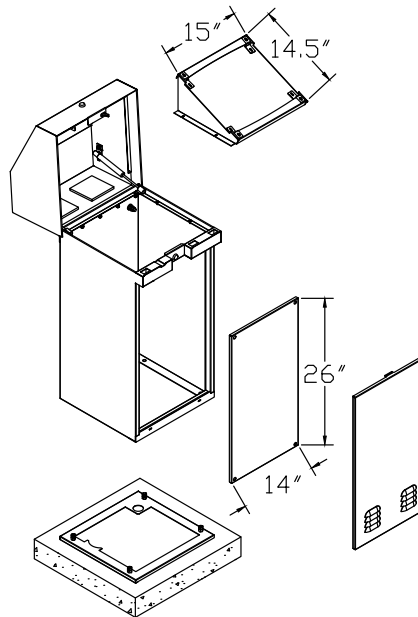
- 24" Wide, 36" High, 24" Deep
- Three point locking door
- Padlock security provisions
- Mounting template and J bolt anchors included
- Pre-drilled removable backboard
- NEMA TYPE 3R Weatherproof

SPECIFICATION ON PAGE 15**PED-24DSS
12" Riser Pedestal**

- 24" Wide, 12" High, 20" Deep
- Stainless Steel
- Hardware installed

**SB-16SS
16" Wide Enclosure**

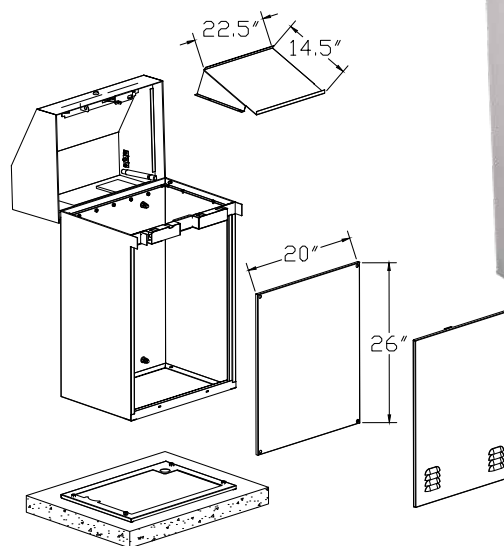
- 16" Wide, 38" High, 15.5" Deep
- Heavy-duty continuous hinge
- Three point locking latch with padlock provisions
- Standard tray and removable backboard
- Mounting template and J bolt anchors included
- NEMA TYPE 3R Weatherproof

**SPECIFICATION ON PAGE 16****PED-16SS
12" Riser Pedestal**

- 16" Wide, 12" High, 15.5" Deep
- Stainless Steel
- Hardware installed

**SB-22SS
24" Wide Enclosure**

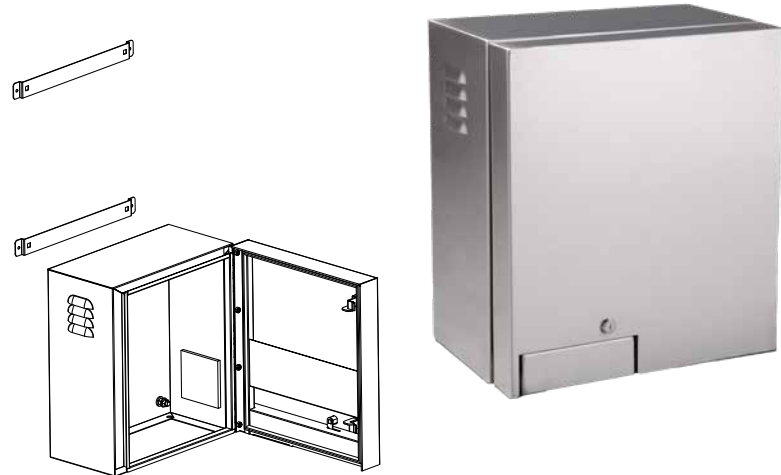
- 24" Wide, 38" High, 17" Deep
- Heavy-duty continuous hinge
- Three point locking latch with padlock provisions
- Standard tray and removable backboard
- Mounting template and J bolt anchors included
- NEMA TYPE 3R Weatherproof

**SPECIFICATION ON PAGE 16**

SB-16SSW 16" Wide Enclosure

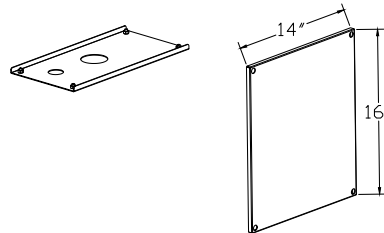
- 16" Wide, 18" High, 10" Deep
- Two point locking door
- Padlock security provisions
- Wall mount brackets and bottom plate included
- Pre-drilled removable backboard
- NEMA TYPE 3R Weatherproof

SPECIFICATION ON PAGE 17



PED-16SSW 4" Riser Pedestal

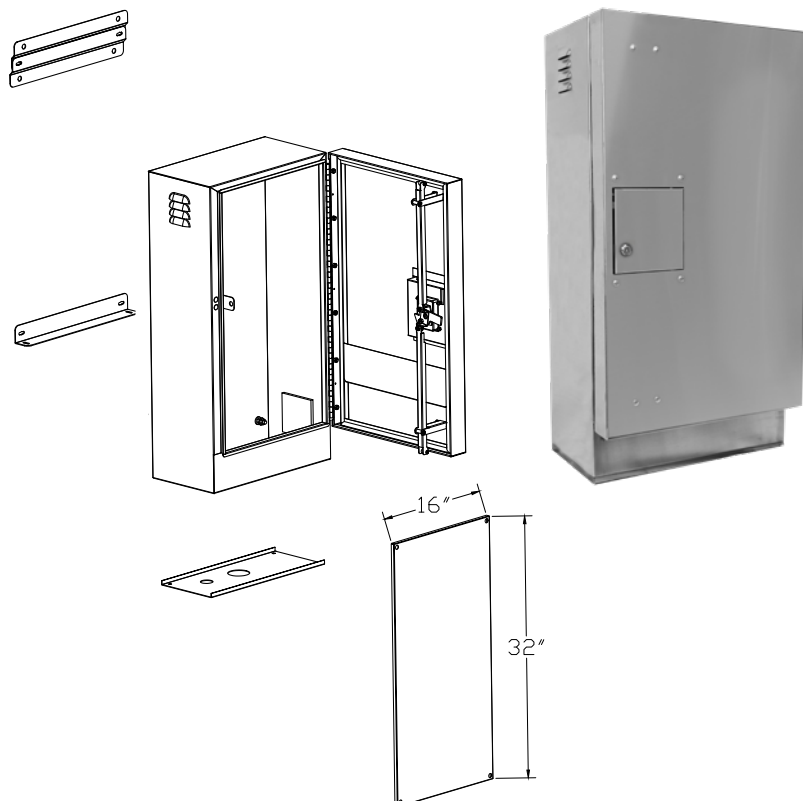
- 16" Wide, 4" High, 8" Deep
- Stainless Steel
- For optional floor mounting



SB-18SSW 18" Wide Enclosure

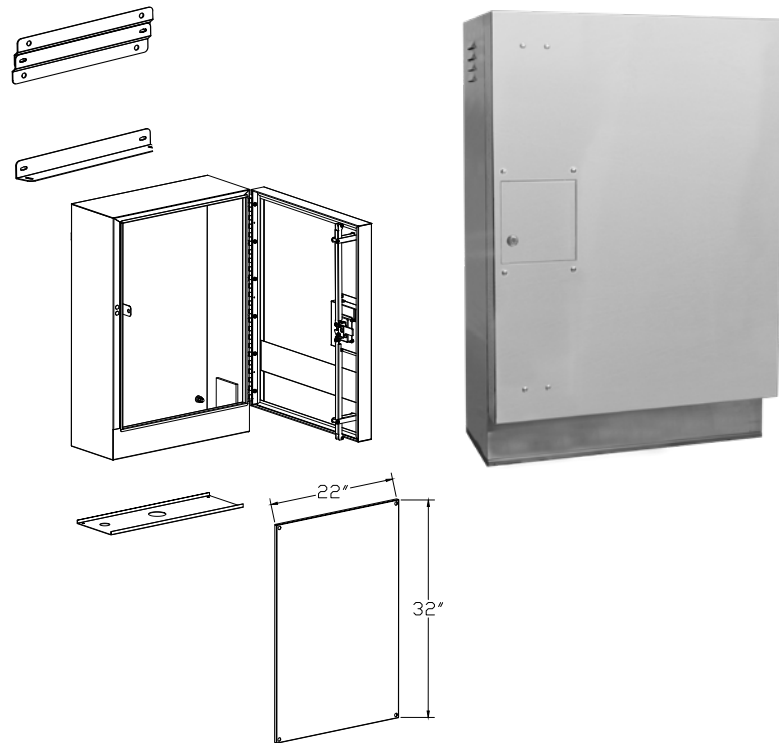
- 18" Wide, 36" High, 12" Deep
- Three point locking door
- Padlock security provisions
- Wall mount brackets and bottom plate included
- Pre-drilled removable backboard
- NEMA TYPE 3R Weatherproof

SPECIFICATION ON PAGE 17

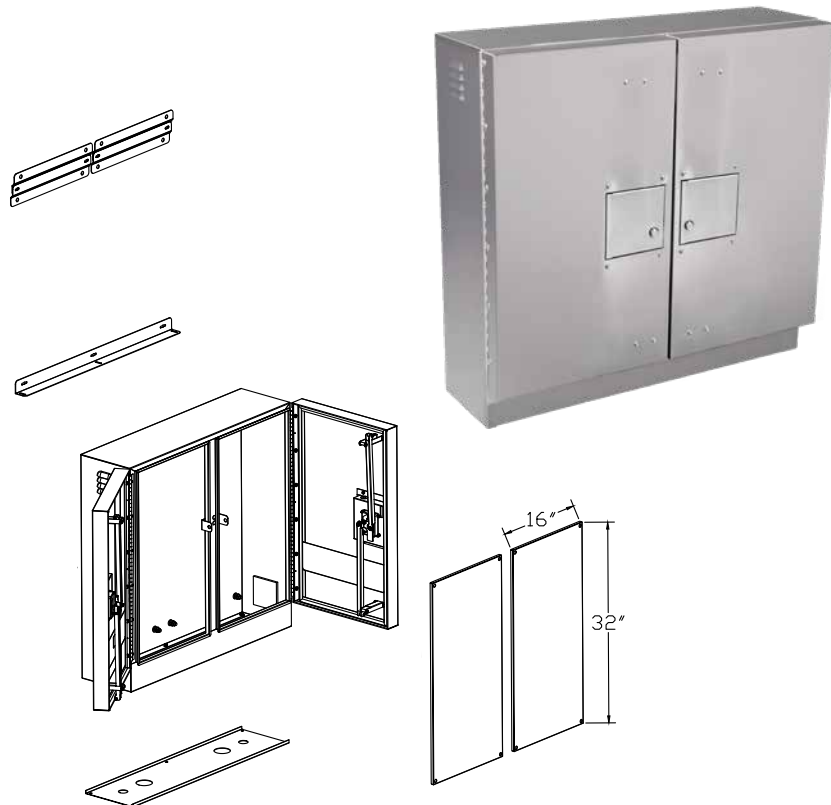


**SB-24SSW
24" Wide Enclosure**

- 24" Wide, 36" High, 12" Deep
- Three point locking door
- Padlock security provisions
- Wall mount brackets and bottom plate included
- Pre-drilled removable backboard
- NEMA TYPE 3R Weatherproof

SPECIFICATION ON PAGE 17**SB-36SSW
36" Wide Enclosure**

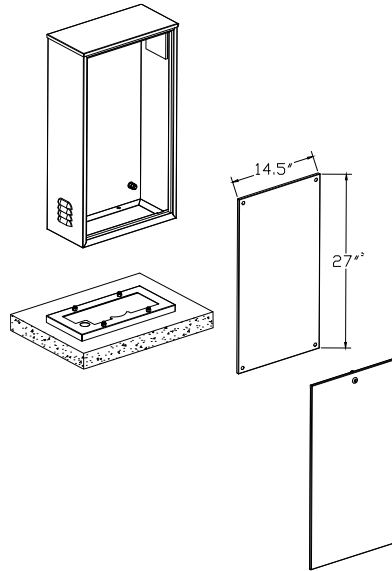
- 36" Wide, 36" High, 12" Deep
- Three point locking doors
- Padlock security provisions
- Wall mount brackets and bottom plate included
- Two Pre-drilled removable backboards
- NEMA TYPE 3R Weatherproof

SPECIFICATION ON PAGE 17

**LD-16S
16" Wide Enclosure**

- 16.75" Wide, 30" High, 8.25" Deep
- Flush mounted drop in keyed locking door
- Mounting template and J bolt anchors included
- Pre-drilled removable backboard
- NEMA TYPE 3R Weatherproof

SPECIFICATION ON PAGE 18



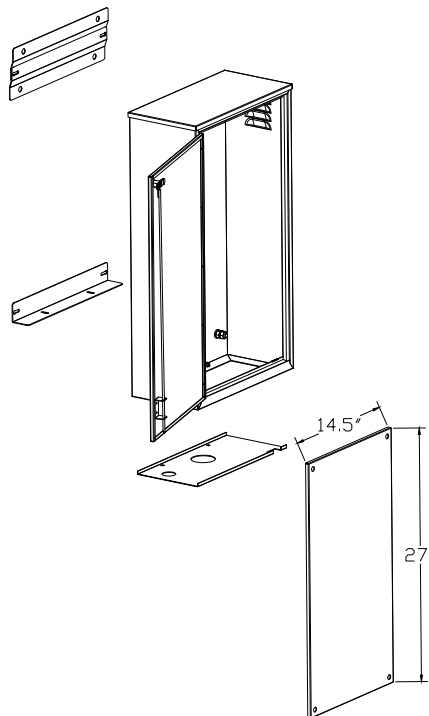
**PED-LD16
12" Riser Pedestal**

- 16.75" Wide, 12" High, 8.25" Deep
- Stainless Steel
- Hardware installed

**LD-16SW
16" Wide Wall Mount Enclosure**

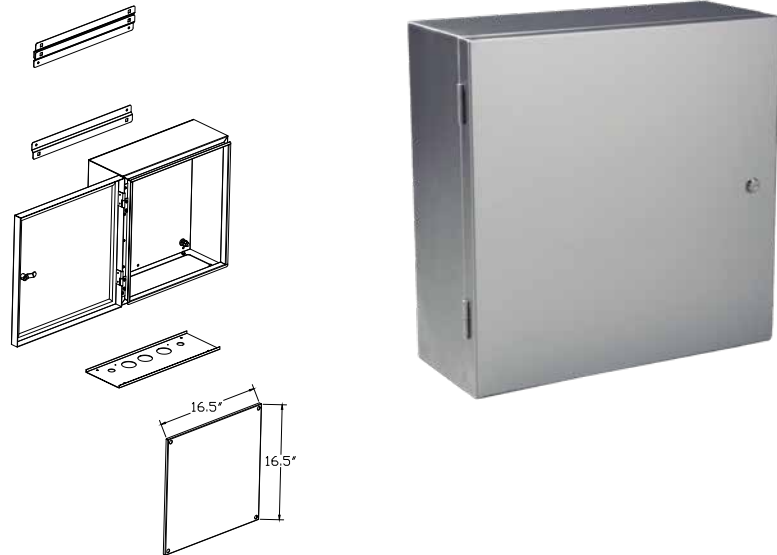
- 16.75" Wide, 30" High, 8.25" Deep
- Hinged keyed lock door
- Wall mount brackets and bottom plate included
- Pre-drilled removable backboard
- NEMA TYPE 3R Weatherproof

SPECIFICATION ON PAGE 19

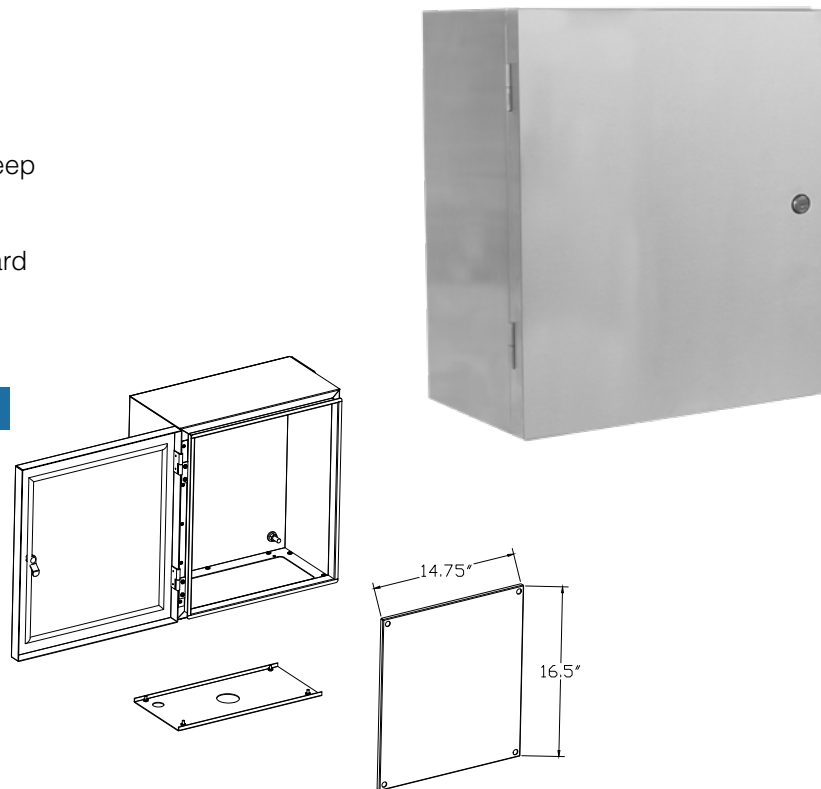


**LD-18SW
18" Wide Wall Mount
Cabinet**

- 18.5" Wide, 18.5" High, 8" Deep
- Hinged keyed lock door
- Wall mount brackets and bottom plate included
- Pre-drilled removable backboard
- NEMA TYPE 3R Weatherproof

**SPECIFICATION ON PAGE 20****LD-16T
16" Wide Wall Mount
Cabinet**

- 16.75" Wide, 18.5" High, 8" Deep
- Hinged keyed lock door
- Bottom plate included
- Pre-drilled removable backboard
- NEMA TYPE 3R Weatherproof

**SPECIFICATION ON PAGE 20**

Manufacturer	Stations	Width (in.)	Height (in.)	Depth (in.)	Res/Comm
RainBird Controllers					
ESP-TM	4-8 stations	7.00	8.25	2.25	R
CCU-28 (Cluster Control)	28 satellites	11.50	11.50	6.50	C
ESP-SAT	40 stations	11.50	11.50	6.50	C
ESP-SITE SAT	40 stations	11.50	11.50	6.50	C
ESP-LXME2	12-48 stations	12.69	14.32	5.50	C
ESP-LXIVM	60-240 stations	12.69	14.32	5.50	C
ESP-ME3	4 stations	10.70	7.70	4.40	R
ESP-TM2	4-12 stations	7.92	7.86	3.51	R
RainMasters					
RME Sentar II SE	6-36 stations	13.25	10.25	4.75	C
RME Eagle EG	6-36 stations	13.25	10.25	4.75	C
RME Eagle-I central	6-36 stations	13.25	10.25	4.75	C
Eagle Plus ^Δ	8-16 stations	N/A	N/A	N/A	R/C
DXI ^Δ	96 stations	N/A	N/A	N/A	C
Toro					
TMC-424	4-24 stations	15.25	10.25	5.25	C
Sentinel WallMount	12-48 stations	10.75	15.75	5.75	C
Irritrol					
RainDial Series	6-12 stations	7.75	10.75	4.00	R
Total Control Series	6-24 stations	8.50	10.50	5.00	R
MC-E Series	4-48 stations	9.75	10.50	4.25	C
Hunter					
I-Core-600-PL	6 stations mod.	13.50	11.00	6.50	C
I-Core-600-M	6 stations mod.	15.50	12.50	6.50	C
PRO-C Series	3-15 stations	9.00	10.00	4.50	C
X-CORE	2-8 stations	7.00	8.60	3.75	R
X2	4-14 stations	7.50	9.00	3.50	R
ICC2 ^Δ	8-54 stations	13.25	12.00	5.00	C
HPC	4-32 stations	10.00	9.00	4.50	R
PRO-HC	6-24 stations	10.00	9.00	4.00	R/C
HCC ^Δ	8-54 stations	13.70	12.00	5.00	C
ACC2 Series ^Δ	12-54 stations	16.50	16.38	6.63	C
Weathermatic					
PL1600	4-16 stations	9.125	10.5	4.00	R/C
PL1620	20 stations	9.125	10.5	4.00	R/C
PL4800	12-48 stations	15.00	16.5	5.50	R/C
SL1600	4-16 stations	9.125	10.5	4.00	R/C
SL1620	20 stations	9.125	10.5	4.00	R/C
SL4800	12-48 stations	15.00	16.5	5.50	R/C
SL9648TW	48 stations	15.00	16.5	5.50	C
SL9696TW	96 stations	15.00	16.5	5.50	C
HydroPoint					
WeatherTRAK PRO3 Series	12-48 stations	NA	NA	NA	C
WeatherTRAK OXR Series	12-96 stations	NA	NA	NA	C
WeatherTRAK LC+	6-36 stations	12.00	8.00	5.75	R/C
Calsense					
CS3000	8-48 stations	14.50	16.25	7.25	R/C

^Δ Contact factory about retrofit panels



CONTROLLER SIZE CHART

Controller Brand / Model	SB-18SS 18 x 36 x 12	SB-24SS 24 x 36 x 12	SB-36SS 36 x 36 x 12	SB-18DSS 18 x 36 x 24	SB-24DSS 24 x 36 x 24	SB-16SSW 16 x 18 x 12	SB-16SS 16 x 36 x 15.5	SB-22SS 24 x 38 x 17	LD-16S 16 x 30 x 8	LD-16SW 16 x 30 x 8	LD-18SW 18 x 18 x 8
RainBird Controllers											
ESP-TM	X	XX	XX	XX	XX	X	X	XX	X	X	X
CCU-28 (Cluster Control)	X	X	XX	XX	XX	X	X	X	X	X	X
ESP-SAT	X	X	XX	XX	XX	X	X	X	X	X	X
ESP-SITE SAT	X	X	XX	XX	XX	X	X	X	X	X	X
ESP-LXME2	X	X	XX	XX	XX	X	X	X	X	X	X
ESP-LXIVM	X	X	XX	XX	XX	X	X	X	X	X	X
ESP-ME3	X	XX	XX	XX	XX	X	X	XX	X	X	X
ESP-TM2	X	XX	XX	XX	XX	X	X	XX	X	X	X
RainMasters											
RME Sentar II SE	X	X	XX	XX	XX	X	X	X	X	X	X
RME Eagle EG	X	X	XX	XX	XX	X	X	X	X	X	X
RME Eagle-I central	X	X	XX	XX	XX	X	X	X	X	X	X
Eagle Plus ^A											
DXI ^A											
Toro											
TMC-424	X	X	XX	XX	XX			X			X
Sentinel WallMount	X	X	XX	XX	XX	X	X	X	X	X	X
Irritrol											
RainDial Series	X	XX	XX	XX	XX	X	X	XX	X	X	X
Total Control Series	X	XX	XX	XX	XX	X	X	XX	X	X	X
MC-E Series	X	XX	XX	XX	XX	X	X	XX	X	X	X
Hunter											
I-Core-600-PL	X	X	XX	XX	XX	X	X	X	X	X	X
I-Core-600-M	X	X	XX	XX	XX			X			X
PRO-C Series	X	XX	XX	XX	XX	X	X	XX	X	X	X
X-CORE	X	XX	XX	XX	XX	X	X	XX	X	X	X
X2	X	XX	XX	XX	XX	X	X	XX	X	X	X
ICC2 ^A	X	X	XX	XX	XX	X	X	X	X	X	X
HPC	X	X	XX	XX	XX	X	X	X	X	X	X
PRO-HC	X	X	XX	XX	XX	X	X	X	X	X	X
HCC ^A	X	X	XX	XX	XX	X	X	X	X	X	X
ACC2 Series ^A	X	X	XX	XX	XX			X			X
Weathermatic											
PL1600	X	XX	XX	XX	XX	X	X	XX	X	X	X
PL1620	X	XX	XX	XX	XX	X	X	XX	X	X	X
PL4800	X	X	XX	XX	XX			X			X
SL1600	X	XX	XX	XX	XX	X	X	XX	X	X	X
SL1620	X	XX	XX	XX	XX	X	X	XX	X	X	X
SL4800	X	X	XX	XX	XX			X			X
SL9648TW	X	X	XX	XX	XX			X			X
SL9696TW	X	X	XX	XX	XX			X			X
HydroPoint											
WeatherTRAK PRO3 Series ^A											
WeatherTRAK OXR Series ^A											
WeatherTRAK LC+	X	X	XX	XX	XX	X	X	X	X	X	X
Calsense											
CS3000	X	X	XX	XX	XX			X			X

^A Contact factory about retrofit panels

X Room for one controller
XX Room for two controllers



NEMA 4X STANDARD ENCLOSURES



- 304 Stainless Steel with #4 brush finish
- Chemical, Corrosion & Hose-down resistant
- Removable Pin Hinge & Quarter-Turn Latch
- Panel Standoffs for optional back panel
- Bolt-on mounting tabs provided
- Grounding Stud on door & body

ULTIMATE PROTECTION

Flange collar around all sides of door face provides a water-tight seal with foam-in-place urethane gasket.

NEMA 3SX ENCLOSURES

For protection and functionality in icy conditions, choose our NEMA 3SX rated enclosure with 3-point locking latch



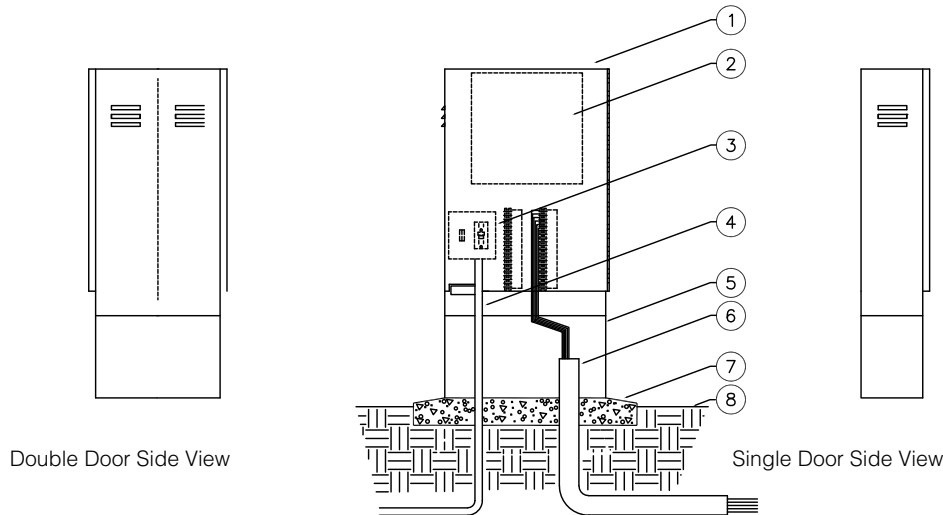
STANDARD ENCLOSURE SIZES

Part Number	Height	Width	Depth	Material Thickness Cover & Base	Enclosure Weight (lbs.)	Optional Subpanel Part #	Subpanel Dimensions
W100804-4PQ-BT	10"	8"	4"	16 Gauge (.060 in.)*	6.0	PNLB1008GVN	8x6
W100806-4PQ-BT	10"	8"	6"	16 Gauge (.060 in.)*	7.2	PNLB1008GVN	8x6
W121004-4PQ-BT	12"	10"	4"	16 Gauge (.060 in.)*	8.1	PNLB1210GVN	10x8
W121006-4PQ-BT	12"	10"	6"	16 Gauge (.060 in.)*	9.6	PNLB1210GVN	10x8
W141206-4PQ-BT	14"	12"	6"	16 Gauge (.060 in.)*	12.3	PNLB1412GVN	12x10
W201608-4PQ-BT	20"	16"	8"	16 Gauge (.060 in.)*	22.6	PNLB2016GVN	18x14
W202008-4PQ-BT	20"	20"	8"	16 Gauge (.060 in.)*	26.6	PNLB2020GVN	18x18
W202010-4PQ-BT	20"	20"	10"	14 Gauge (.075 in.)*	36.8	PNLB2020GVN	18x18
W242008-4PQ-BT	24"	20"	8"	16 Gauge (.060 in.)*	30.7	PNLB2420GVN	22x18
W242010-4PQ-BT	24"	20"	10"	14 Gauge (.075 in.)*	42.2	PNLB2420GVN	22x18
W242408-4PQ-BT	24"	24"	8"	16 Gauge (.060 in.)*	35.3	PNLB2424GVN	22x22
W242410-4PQ-BT	24"	24"	10"	14 Gauge (.075 in.)*	48.4	PNLB2424GVN	22x22
W302410-4PQ-BT	30"	24"	10"	14 Gauge (.075 in.)*	57.6	PNLB3024GVN	28x22
W302412-4PQ-BT	30"	24"	12"	14 Gauge (.075 in.)*	62.3	PNLB3024GVN	28x22
W363012-4PQ-BT	36"	30"	12"	14 Gauge (.075 in.)*	84.9	PNLB3630GVN	34x28

FRONT ENTRY ENCLOSURE

INSTALLATION DETAILS

**MODELS: SB-18SS, SB-1852SS, SB-18DSS,
SB-24SS, SB-24DSS, SB36SS**



- | | |
|-----------------------------------------------------------------------------------------------------------------------------------------------------------------------------------------------------------------------------------------------------------------------------------|------------------------------------------------------------------------------------------------------------------------------------------------------------------------------------------------------------------------------------------------------|
| <ol style="list-style-type: none"> 1. Controller enclosure 2. Automatic controller 3. Controller sub-assembly (CSA) includes GFI & terminal strips with placards 4. 120 volt service in conduit 5. Optional pedestal riser | <ol style="list-style-type: none"> 6. PVC conduit out to control valves 7. Poured concrete base, 6" min. thickness extending 4" beyond outside dimensions of enclosure with 1/2% slope for drainage 8. Finish grade |
|-----------------------------------------------------------------------------------------------------------------------------------------------------------------------------------------------------------------------------------------------------------------------------------|------------------------------------------------------------------------------------------------------------------------------------------------------------------------------------------------------------------------------------------------------|

SPECIFICATIONS

This front entry enclosure is a vandal and weather resistant enclosure formed entirely of 304 grade stainless steel. The enclosure body is 14 gauge and the door is 16 gauge. The main housing is louvered to allow for cross flow ventilation with filter screens to deflect against water spray, insects and dust. A removable stainless steel

backboard is provided for mounting various types of equipment and is secured with four stainless steel bolts. The door is hemmed to eliminate sharp edges and secured with a stainless steel, continuous piano hinge and a three point locking mechanism with provisions for a padlock. A continuous drainage channel around all sides of door

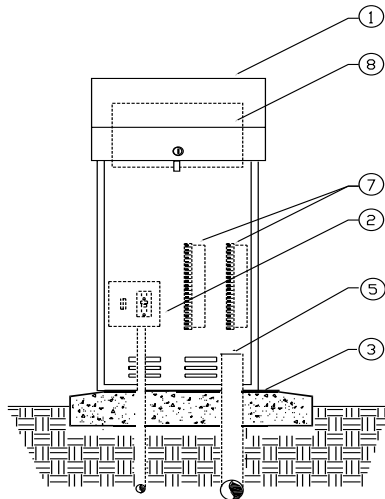
face provides a water-tight seal with the tear drop shaped, hollow center, thermoplastic door seal. The inside door also provides adequate storage for instructions or plans. This enclosure is NEMA 3R rated and UL 508A listed.

INSTALLATION DETAILS

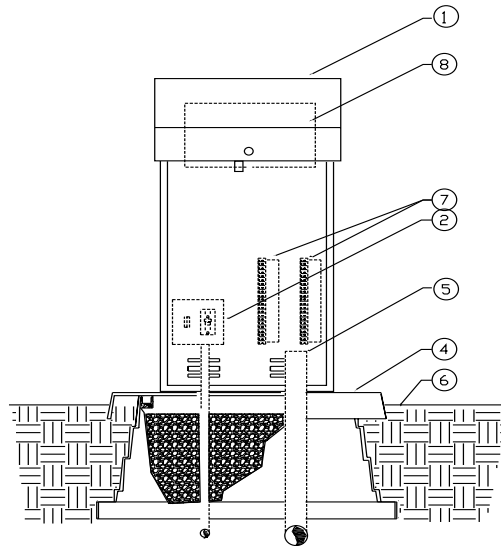
TOP ENTRY ENCLOSURE

MODELS: SB-16SS, SB-22SS

TOP ENTRY ENCLOSURE
WITH CONCRETE PAD



TOP ENTRY ENCLOSURE
ON QUICKPAD BASE



1. Controller enclosure
2. 120 volt service in conduit
3. Poured concrete base—6" min. thickness—
extend concrete 4" beyond outside
dimensions of enclosure with 1/2% slope for
drainage
4. QuickPad mounting base

5. Direct burial control wires to control valves
6. Finish grade
7. Controller sub-assembly (CSA) includes GFI
& terminal strips with placards
8. Automatic controller

SPECIFICATIONS

This top entry enclosure is a vandal and weather resistant enclosure formed entirely of 304 grade stainless steel. The enclosure body and top entry lid are 14 gauge and the door is 16 gauge. The main housing is louvered to allow for cross flow ventilation with filter screens to deflect against water spray, insects and dust. A removable stainless steel tray and backboard are provided for

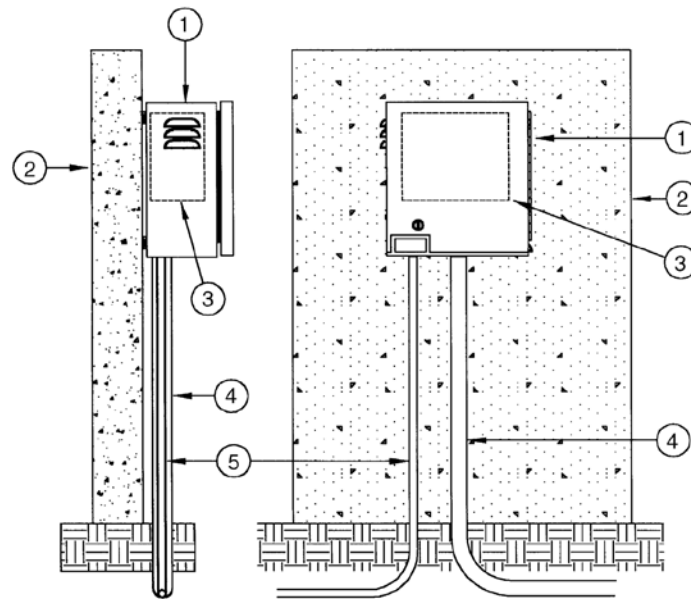
mounting electronics and other types of equipment. The backboard mounts on four stainless steel bolts in the lower body. The top entry lid includes a stainless steel piano hinge at the rear and a three point locking mechanism at the front with provisions for a padlock. Two gas springs to assist with opening and closing. A cam style lock

secures the flush mounted front entry door. A continuous drainage channel around all sides of door face provides a water-tight seal with the tear drop shaped, hollow center, thermoplastic door seal. The inside door also provides adequate storage for instructions or plans. This enclosure is NEMA 3R rated and UL 508A listed.

WALL MOUNT ENCLOSURE

INSTALLATION DETAILS

**MODELS: SB-16SSW, SB-18SSW,
SB-24SSW, SB-36SSW**



1. Controller enclosure
2. Wall
3. Automatic controller
4. 24 volt conduit
5. 120 volt service in conduit

SPECIFICATIONS

This front entry enclosure is a vandal and weather resistant enclosure formed entirely of 304 grade stainless steel. The enclosure body is 14 gauge and the door is 16 gauge. The main housing is louvered to allow for cross flow ventilation and filter screens deflect against water spray, insects and dust. A removable stainless steel backboard is provided for mounting various types of

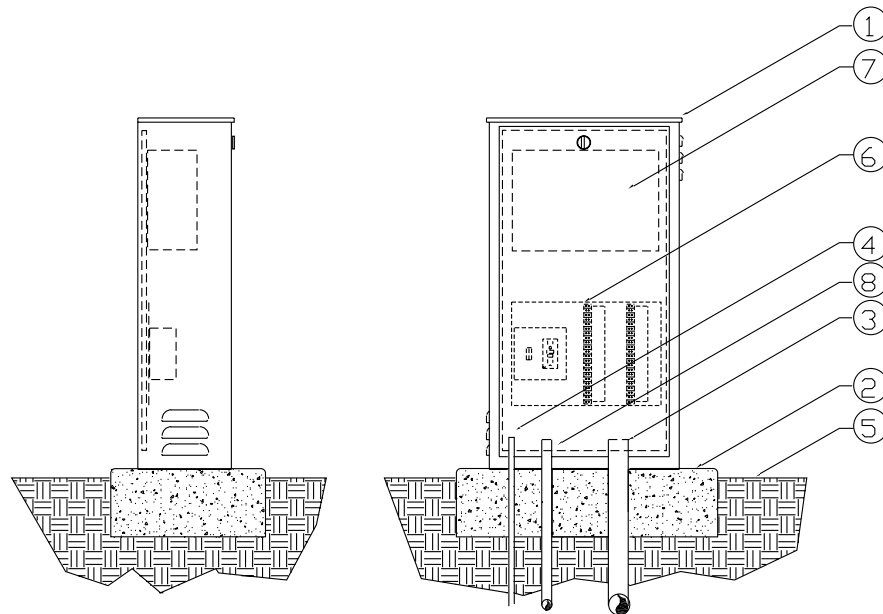
equipment and is secured with four stainless steel bolts. The door is hemmed to eliminate sharp edges and secured with a stainless steel, continuous piano hinge, and a three point locking mechanism with provisions for a padlock. A continuous drainage channel around all sides of door face provides a water-tight seal with the tear drop shaped, hollow center, thermoplastic door seal.

Stainless Steel wall mount hanger brackets and pre-punched bottom plate are provided for easy installation and connection of electrical conduit. The inside door also provides adequate storage for instructions or plans. This enclosure is NEMA 3R rated and UL 508A listed.

LIGHT DUTY CABINET

MODEL: LD-16S

INSTALLATION DETAILS



1. Controller cabinet
2. Poured concrete base – 6"Min. thickness – extend 4" beyond outside dimensions of enclosure with 1/2% slope for drainage
3. PVC long sweep ell – use one sweep elbow per controller
4. Ground rod
5. Finish grade
6. Controller sub-assembly (CSA) includes GFI and terminal strips with placards
7. Automatic controller
8. 120-volt service in conduit

SPECIFICATIONS

This light duty cabinet is a weather resistant enclosure formed entirely of 304 grade 16 gauge stainless steel. The main housing is louvered to allow for cross flow ventilation and filter screens deflect against water spray, insects

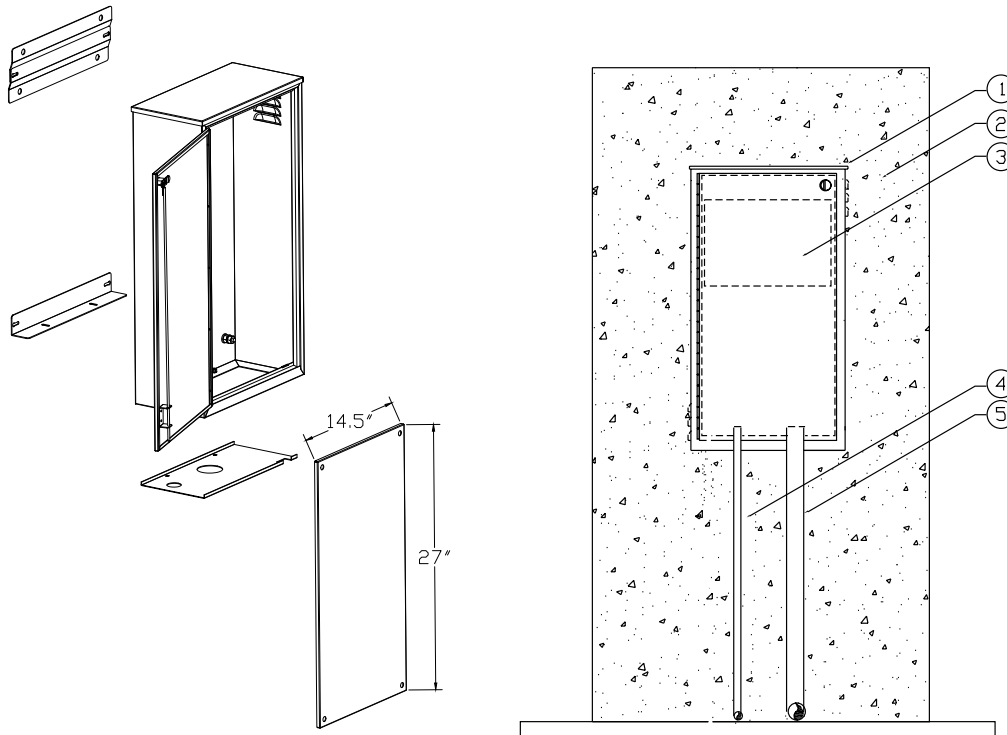
and dust. A removable stainless steel backboard is provided for mounting various types of equipment and is secured with four stainless steel bolts. A continuous drainage channel around all sides of door face provides a water-tight seal with

the tear drop shaped, hollow center, thermoplastic door seal. The door is equipped with a cam style lock. This enclosure is NEMA 3R rated and UL 508A listed.

WALL MOUNT ENCLOSURE

MODEL: LD-16SW

INSTALLATION DETAILS



1. Controller cabinet
2. Wall
3. Automatic controller
4. 24-volt conduit
5. 120-volt conduit

SPECIFICATIONS

This light duty cabinet is a weather resistant enclosure formed entirely of 306 grade 16 gauge stainless steel. The main housing is louvered to allow for cross flow ventilation and filter screens deflect against water spray, insects and dust. A removable stainless steel backboard is provided for mounting various

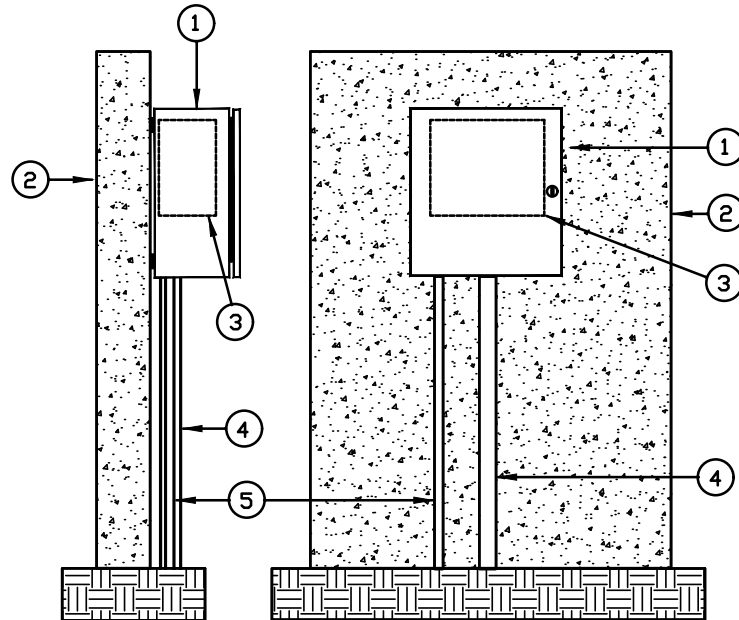
types of equipment and is secured with four stainless steel bolts. The cabinet door includes a stainless steel continuous piano hinge and a cam style lock mounted in the door. A continuous drainage channel around all sides of door face provides a water-tight seal with the tear drop shaped, hollow center,

thermoplastic door seal. Stainless Steel wall mount hanger brackets and pre-punched bottom plate are provided for easy installation and connection of electrical conduit. This enclosure is NEMA 3R rated and UL 508A listed.

INSTALLATION DETAILS

WALL MOUNT ENCLOSURE

MODEL: LD-16T, LD-18SW



- 1. Controller cabinet
- 2. Wall
- 3. Automatic controller
- 4. 24-volt conduit
- 5. 120-volt conduit

SPECIFICATIONS

This light duty cabinet is a weather resistant enclosure manufactured entirely of 304 grade 16 gauge stainless steel. A removable stainless steel backboard is provided for mounting various types of equipment and is secured with four stainless steel bolts. The cabinet door includes a

stainless steel continuous piano hinge on one side and a cam style lock mounted in the door. A continuous drainage channel around all sides of door face provides a water-tight seal with the tear drop shaped, hollow center, thermoplastic door seal. Stainless Steel wall mount

hanger brackets and pre-punched bottom plate are provided for easy installation and connection of electrical conduit. This enclosure is NEMA 3R rated and UL 508A listed.



THE ULTIMATE BACKFLOW ENCLOSURE WEATHER RESISTANT – VANDAL RESISTANT

- Offers complete protection for backflow prevention devices used in parks, businesses and residential settings
- Patented locking system includes provisions for a padlock
- Enclosures secure to mounting hardware and swing open for easy access when servicing and testing backflow
- Chameleon effect of the natural finish and neutral colors provide an unobtrusive quality
- Multiple powder coat colors available for steel cages at an additional charge

ALUMINUM ENCLOSURE



Marine grade aluminum alloy solid sheet construction provides long lasting durability while remaining light weight for ease of handling.

SMOOTH TOUCH™ STAINLESS CAGE



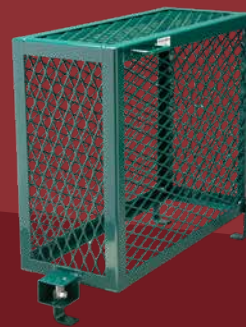
Beautifully curved, tube and wire construction protects against handling injury and blends seamlessly into environment. Stainless Steel construction ensures long lasting durability.

SMOOTH TOUCH™ COLD ROLLED CAGE



Our curved tube and wire cage, coated with performance polymer alloy to prevent weathering and handling injury.

EXPANDED METAL CAGE



Cold rolled, formed steel frame provides strength and stability with a performance polymer alloy coating for added protection.

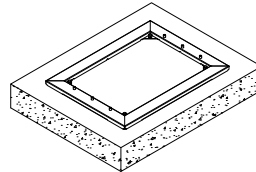
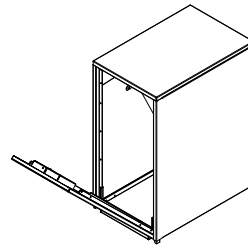
Front Entry Enclosure

	Width	Height	Depth
SBBC-22AL	22"	30"	16"
SBBC-30AL	30"	30"	16"
SBBC-45AL	45"	30"	16"
SBBC-52AL	52"	30"	22"

Note: For inside dimensions, see Backflow Cover Sizing Chart on pages 28-29.

- Marine grade aluminum
- Stainless steel hardware
- Flush-mounted locking system accepts padlock
- 5 year limited warranty

SPECIFICATIONS ON PAGE 30



Mounting Frame Inside

	Width	Depth
SBBC-22AL	20.19"	14.16"
SBBC-30AL	27.19"	14.16"
SBBC-45AL	42.19"	14.16"
SBBC-52AL	49.19"	14.16"
SBBC-60AL	57.19"	14.16"



Clamshell Entry Two Piece Enclosure

	Width	Height	Depth
SBBC-60AL*	60"	30"	16"
SBBC-40ALHP	40"	39"	24"
SBBC-60ALHP	60"	39"	24"
SBBC-75ALHP	75"	39"	24"
SBBC-90ALHP	90"	39"	24"

Note: For inside dimensions, see Backflow Cover Sizing Chart on pages 28-29.

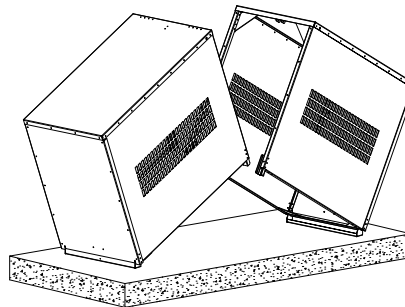
*Asterisked parts do not have punched holes



	Width	Height	Depth
PE-40AL*	40"	39"	38"
PE-60AL*	60"	39"	38"
SBBC-40-WALHP	40"	39"	28"

- Marine grade aluminum
- Stainless steel hardware
- Latch rod locking system accepts padlock
- 5 year limited warranty

SPECIFICATIONS ON PAGE 31



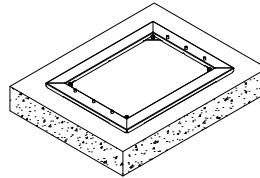
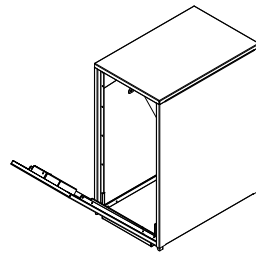
Insulated Front Entry Enclosure

	Width	Height	Depth
SBBC-22ALI	22"	30"	16"
SBBC-30ALI	30"	30"	16"
SBBC-45ALI	45"	30"	16"

Note: For inside dimensions, see Backflow Cover Sizing Chart on pages 28-29.

- Marine grade aluminum
- Stainless steel hardware
- R-19 insulation Polar Bearier cover and Flexible rubber skirt included
- Flush-mounted locking system accepts padlock
- 5 year limited warranty

SPECIFICATIONS ON PAGE 32



Mounting Frame Inside

	Width	Depth
SBBC-22ALI	20.19"	14.16"
SBBC-30ALI	27.19"	14.16"
SBBC-45ALI	42.19"	14.16"
SBBC-60ALI	57.19"	14.16"

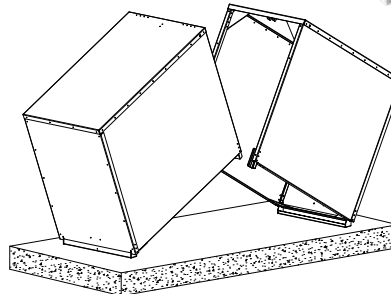
Insulated Clamshell Entry Two Piece Enclosure

	Width	Height	Depth
SBBC-60ALI	60"	30"	16"
SBBC-40ALHPI	40"	39"	24"
SBBC-60ALHPI	60"	39"	24"
SBBC-75ALHPI	75"	39"	24"
SBBC-90ALHPI	90"	39"	24"

Note: For inside dimensions, see Backflow Cover Sizing Chart on pages 28-29.

- Marine grade aluminum
- Stainless steel hardware
- R-19 insulation value Polar Bearier cover and Flexible rubber skirt included
- Latch rod locking system accepts padlock
- 5 year limited warranty

SPECIFICATIONS ON PAGE 33



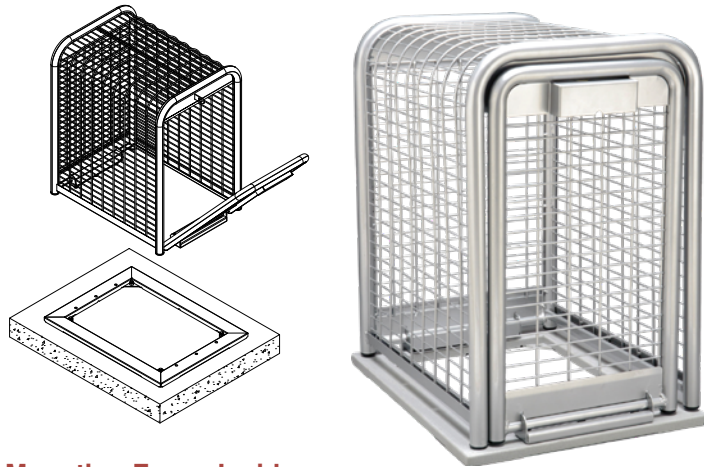
**Smooth Touch™
Front Entry Cage**

	Width	Height	Depth
SBBC-22SS	23.5"	28"	17.75"
SBBC-30SS	31.5"	28"	17.75"
SBBC-45SS	46.5"	28"	17.75"
SBBC-20SS	20"	46.5"	17.75"

Note: For inside dimensions, see Backflow Cover Sizing Chart on pages 28-29.

- 100% stainless steel
- Patented locking system accepts padlock
- Minimal surface area deters graffiti
- 10 year limited warranty

SPECIFICATIONS ON PAGE 34



Mounting Frame Inside

	Width	Depth
SBBC-22SS	20.19"	14.16"
SBBC-30SS	27.19"	14.16"
SBBC-45SS	42.19"	14.16"
SBBC-20SS	18"	14.16"

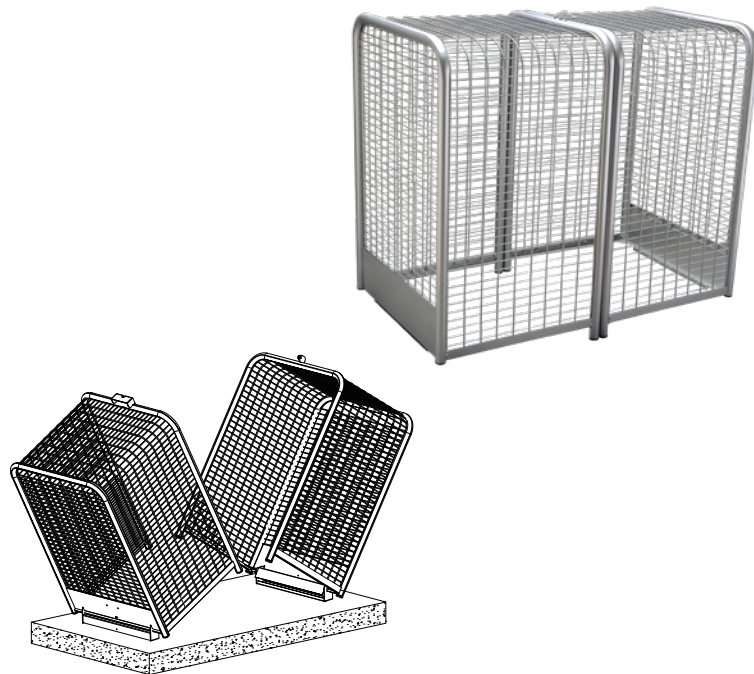
**Smooth Touch™
Clamshell Entry Cage**

	Width	Height	Depth
SBBC-40SS	23.5"	28"	17.75"
SBBC-60SS	31.5"	28"	17.75"
SBBC-75SS	46.5"	28"	17.75"

Note: For inside dimensions, see Backflow Cover Sizing Chart on pages 28-29.

- 100% stainless steel
- Patented locking system accepts padlock
- Minimal surface area deters graffiti
- 10 year limited warranty

SPECIFICATIONS ON PAGE 35

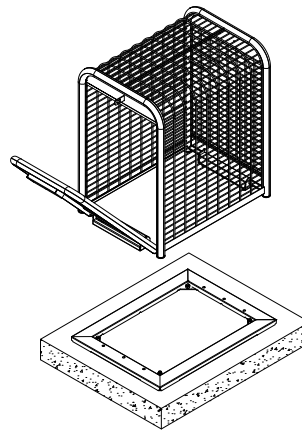


**Smooth Touch™
Front Entry Cage**

	Width	Height	Depth
SBBC-22CR	23.5"	28"	17.75"
SBBC-30CR	31.5"	28"	17.75"
SBBC-45CR	46.5"	28"	17.75"

Note: For inside dimensions, see Backflow Cover Sizing Chart on pages 28-29.

- Plasticoated cold rolled steel
- Stainless steel hardware
- Patented locking system accepts padlock
- Minimal surface area deters graffiti
- 1 year limited warranty



Mounting Frame Inside

	Width	Depth
SBBC-22CR	20.19"	14.16"
SBBC-30CR	27.19"	14.16"
SBBC-45CR	42.19"	14.16"

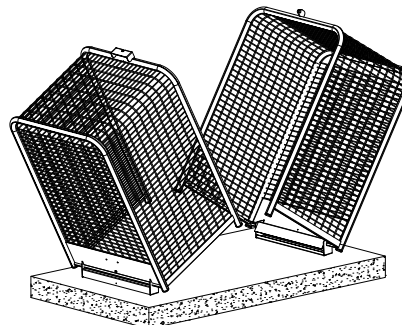
SPECIFICATIONS ON PAGE 36

**Smooth Touch™
Clamshell Entry Cage**

	Width	Height	Depth
SBBC-40CR	40"	39"	25.5"
SBBC-60CR	60"	39"	25.5"
SBBC-75CR	76.5"	39"	25.5"

Note: For inside dimensions, see Backflow Cover Sizing Chart on pages 28-29.

- Plasticoated cold rolled steel
- Stainless steel hardware
- Patented locking system accepts padlock
- Minimal surface area deters graffiti
- 1 year limited warranty



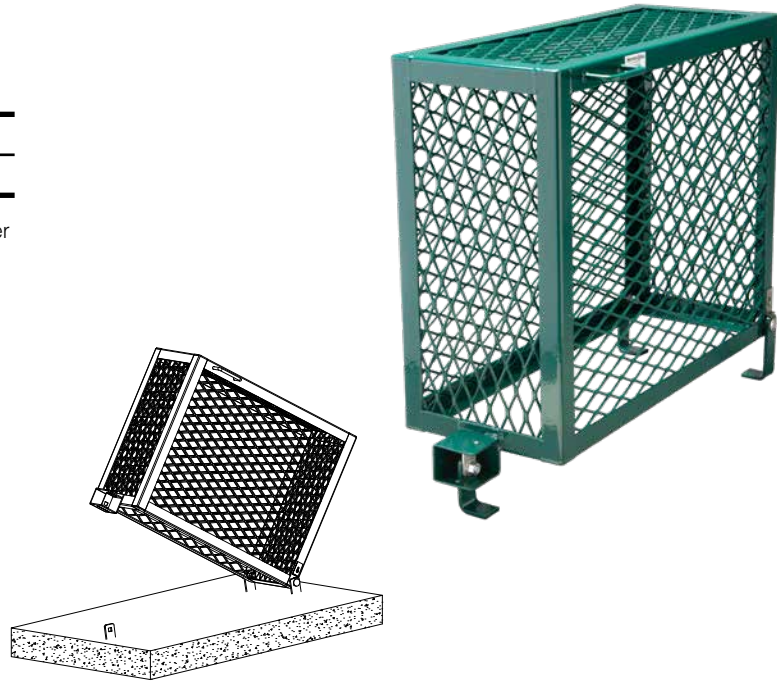
SPECIFICATIONS ON PAGE 37

**Front Entry
Expanded Metal Cage**

	Width	Height	Depth
BC-30CR	30"	25.5"	12"
BC-45CR	45"	31.5"	18"

Note: For inside dimensions, see Backflow Cover Sizing Chart on pages 28-29.

- No. 9 flattened expanded metal with plasticoat powder coat finish
- Easy lift handles and hinges provide access for maintenance
- Accepts padlock
- Minimized surface area deters graffiti
- 1 year limited warranty



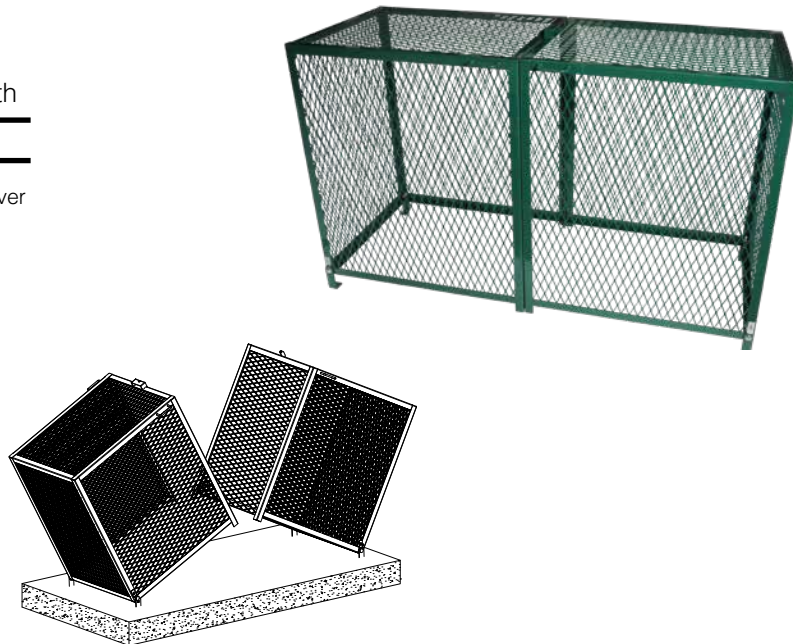
SPECIFICATIONS ON PAGE 38

**Clamshell Entry
Expanded Metal Cage**

	Width	Height	Depth
BC-75CR	75"	43.5"	30"

Note: For inside dimensions, see Backflow Cover Sizing Chart on pages 28-29.

- No. 9 flattened expanded metal with plasticoat powder coat finish
- Easy lift handles and hinges provide full access for maintenance
- Accepts padlock
- Minimized surface area deters graffiti
- 1 year limited warranty



SPECIFICATIONS ON PAGE 38

Polar Bearier Slip-On Insulating Cover

	Width	Height	Depth
PBB-22	22"	24"	6"
PBB-30	28"	24"	6"
PBB-45	46"	24"	6"
PBB-60	56"	24"	6"
PBB-40HP	40"	36"	6"
PBB-60HP	60"	36"	6"
PBB-75HP	72"	36"	6"
PBB-90HP	90"	36"	6"
PBB-20HP	24"	46"	6"

- Polar Bearier helps prevent freeze damage to backflow devices.
- Reduces liability by cushioning backflow devices.
- Reduces time and materials wasted on annual backflow wrapping.
- Secured with brass grommets on both sides.
- Can be installed inside existing backflow enclosures.
- Provides an aesthetic alternative to exposed backflow devices.



R-19 Insulation Value

Similar to how insulation works in the walls of a home, Polar Bearier covers prevent freezing cold air from reaching the pipes of backflow devices. Polar Beariers protect to a R19 insulation rating using Radiant Barrier Foil (RBF) inserted between acrylic polyester and air bubble pack. These layers form an insulated bag impervious to moisture.



Apollo

4A-200 Series

	Length	Installed	Nip	Nip Total	Elbow Total	Total Inches	Alum	Smooth	Expanded
3/4"	12.75	20.00	3.00	5.00	4.00	21.75	SBBC-30AL	SBBC-30SS & CR	BC-30CR
1"	14.75	20.00	3.00	5.00	5.00	24.75	SBBC-30AL	SBBC-30SS & CR	BC-30CR
1 1/4"	18.75	22.00	3.00	5.00	5.50	29.25	SBBC-45AL	SBBC-45SS & CR	BC-45CR
1 1/2"	18.75	22.00	3.00	5.00	6.00	29.75	SBBC-45AL	SBBC-45SS & CR	BC-45CR
2"	20.25	23.00	3.00	5.00	7.50	32.75	SBBC-45AL	SBBC-45SS & CR	BC-45CR

FEBCO

825Y & LF860

	Length	Installed	Nip	Nip Total	Elbow Total	Total Inches	Alum	Smooth	Expanded
3/4"	12.00	19.00	3.00	5.00	4.00	21.00	SBBC-30AL	SBBC-30SS & CR	BC-30CR
1"	12.75	20.00	3.00	5.00	5.00	22.75	SBBC-30AL	SBBC-30SS & CR	BC-30CR
1 1/4"	16.00	22.00	3.00	5.00	5.50	26.50	SBBC-30AL	SBBC-30SS & CR	BC-30CR
1 1/2"	17.00	22.00	3.00	5.00	6.00	28.00	SBBC-45AL	SBBC-45SS & CR	BC-45CR
2"	17.75	22.00	3.00	5.00	7.50	30.25	SBBC-45AL	SBBC-45SS & CR	BC-45CR

LF860

	Length	Installed	Nip	Nip Total	Elbow Total	Total Inches	Alum	Smooth	Expanded
2 1/2"	40.75	38.50	N/A	N/A	17.00	57.75	SBBC-75ALHP	SBBC-75SS & CR	BC-75CR
3"	42.00	44.25	N/A	N/A	18.50	60.50	N/A	N/A	N/A
4"	46.25	46.50	N/A	N/A	22.00	68.25	N/A	N/A	N/A
6"	56.00	53.25	N/A	N/A	27.00	83.00	N/A	N/A	N/A

825YA

	Length	Installed	Nip	Nip Total	Elbow Total	Total Inches	Alum	Smooth	Expanded
3/4"	10.00	17.00	N/A	N/A	N/A	10.00	SBBC-22AL	SBBC-22SS & CR	BC-30CR
1"	10.25	18.00	N/A	N/A	N/A	10.25	SBBC-22AL	SBBC-22SS & CR	BC-30CR
1 1/2"	14.25	19.00	N/A	N/A	N/A	14.25	SBBC-22AL	SBBC-22SS & CR	BC-30CR
2"	15.00	20.00	N/A	N/A	N/A	15.00	SBBC-22AL	SBBC-22SS & CR	BC-30CR

LF880V

	Length	Installed	Nip	Nip Total	Elbow Total	Total Inches	Alum	Smooth	Expanded
2 1/2"	25.50	32.00	N/A	N/A	N/A	25.50	SBBC-40ALHP	SBBC-40SS & CR	BC-75CR
3"	25.75	32.00	N/A	N/A	N/A	25.75	SBBC-40ALHP	SBBC-40SS & CR	BC-75CR
4"	28.00	36.00	N/A	N/A	N/A	28.00	SBBC-40ALHP	SBBC-40SS & CR	BC-75CR
6"	32.25	39.00	N/A	N/A	N/A	32.25	N/A	N/A	N/A

Watts

U009AQT M2AQT

	Length	Installed	Nip	Nip Total	Elbow Total	Total Inches	Alum	Smooth	Expanded
3/4"	16.25	22.00	N/A	N/A	N/A	16.25	SBBC-22AL	SBBC-22SS & CR	BC-30CR
1"	17.50	23.00	N/A	N/A	N/A	17.25	SBBC-22AL	SBBC-22SS & CR	BC-30CR
1 1/2"	20.50	24.00	N/A	N/A	N/A	20.50	SBBC-30AL	SBBC-30SS & CR	BC-30CR
2"	25.50	24.00	N/A	N/A	N/A	25.50	SBBC-30AL	SBBC-30SS & CR	BC-30CR

U009QT M2QT

	Length	Installed	Nip	Nip Total	Elbow Total	Total Inches	Alum	Smooth	Expanded
3/4"	13.75	22.00	3.00	5.00	4.00	23.00	SBBC-30AL	SBBC-30SS & CR	BC-30CR
1"	17.50	23.00	3.00	5.00	5.00	27.50	SBBC-30AL	SBBC-30SS & CR	BC-30CR
1 1/4"	24.50	24.00	3.00	5.00	5.50	35.00	SBBC-45AL	SBBC-45SS & CR	BC-45CR
1 1/2"	25.50	24.00	3.00	5.00	6.00	36.50	SBBC-45AL	SBBC-45SS & CR	BC-45CR
2"	27.50	24.00	3.00	5.00	7.50	40.00	SBBC-45AL	SBBC-45SS & CR	BC-45CR

909RPDA

	Length	Installed	Nip	Nip Total	Elbow Total	Total Inches	Alum	Smooth	Expanded
2 1/2"	42.25	34.00	N/A	N/A	17.00	59.25	SBBC-75ALHP	SBBC-75SS & CR	BC-75CR
3"	42.25	37.00	N/A	N/A	18.50	60.75	SBBC-75ALHP	SBBC-75SS & CR	BC-75CR
4"	55.25	41.00	N/A	N/A	22.00	77.25	N/A	N/A	BC-75CR
6"	66.00	49.00	N/A	N/A	27.00	93.00	N/A	N/A	N/A
2 1/2"	33.00	34.00	N/A	N/A	N/A	34.00	SBBC-40ALHP	SBBC-40SS & CR	BC-75CR
3"	34.00	36.00	N/A	N/A	N/A	36.00	SBBC-40ALHP	SBBC-40SS & CR	BC-75CR
4"	42.00	36.00	N/A	N/A	N/A	36.00	N/A	N/A	N/A
6"	48.00	38.00	N/A	N/A	N/A	38.00	N/A	N/A	N/A

Wilkins

375 XL/VSR									
	Length	Installed	Nip	Nip Total	Elbow Total	Total Inches	Alum	Smooth	Expanded
3/4"	12.75	20.00	3.00	5.00	4.00	21.75	SBBC-30AL	SBBC-30SS & CR	BC-30CR
1"	15.75	20.50	3.00	5.00	5.00	25.75	SBBC-30AL	SBBC-30SS & CR	BC-30CR
1 1/4"	20.50	22.00	3.00	5.00	5.50	31.00	SBBC-45AL	SBBC-45SS & CR	BC-45CR
1 1/2"	21.75	23.00	3.00	5.00	6.00	32.75	SBBC-45AL	SBBC-45SS & CR	BC-45CR
2"	24.25	25.00	3.00	5.00	7.50	36.75	SBBC-45AL	SBBC-45SS & CR	BC-45CR
2 1/2"	31.00	33.00	N/A	N/A	17.00	48.00	SBBC-60ALHP	SBBC-75SS & CR	BC-75CR
3"	32.00	34.00	N/A	N/A	18.50	50.50	SBBC-60ALHP	SBBC-75SS & CR	BC-75CR
4"	38.00	38.00	N/A	N/A	22.00	60.00	SBBC-75ALHP	SBBC-75SS & CR	BC-75CR
6"	45.00	44.00	N/A	N/A	27.00	72.00	N/A	N/A	N/A
975 XL/XL2V									
	Length	Installed	Nip	Nip Total	Elbow Total	Total Inches	Alum	Smooth	Expanded
3/4"	15.00	22.00	3.00	5.00	4.00	24.00	SBBC-30AL	SBBC-30SS & CR	BC-30CR
1"	16.00	23.00	3.00	5.00	5.00	26.00	SBBC-30AL	SBBC-30SS & CR	BC-30CR
1 1/4"	17.00	24.00	3.00	5.00	5.50	27.50	SBBC-30AL	SBBC-30SS & CR	BC-30CR
1 1/2"	17.50	24.00	3.00	5.00	6.00	28.50	SBBC-45AL	SBBC-45SS & CR	BC-45CR
2"	18.50	24.00	3.00	5.00	7.50	31.00	SBBC-45AL	SBBC-45SS & CR	BC-45CR
475 v									
	Length	Installed	Nip	Nip Total	Elbow Total	Total Inches	Alum	Smooth	Expanded
2 1/2"	33.00	34.00	N/A	N/A	N/A	34.00	SBBC-40ALHP	SBBC-40SS & CR	BC-75CR
3"	34.00	36.00	N/A	N/A	N/A	36.00	SBBC-40ALHP	SBBC-40SS & CR	BC-75CR
4"	42.00	36.00	N/A	N/A	N/A	36.00	N/A	N/A	N/A
6"	48.00	38.00	N/A	N/A	N/A	38.00	N/A	N/A	N/A

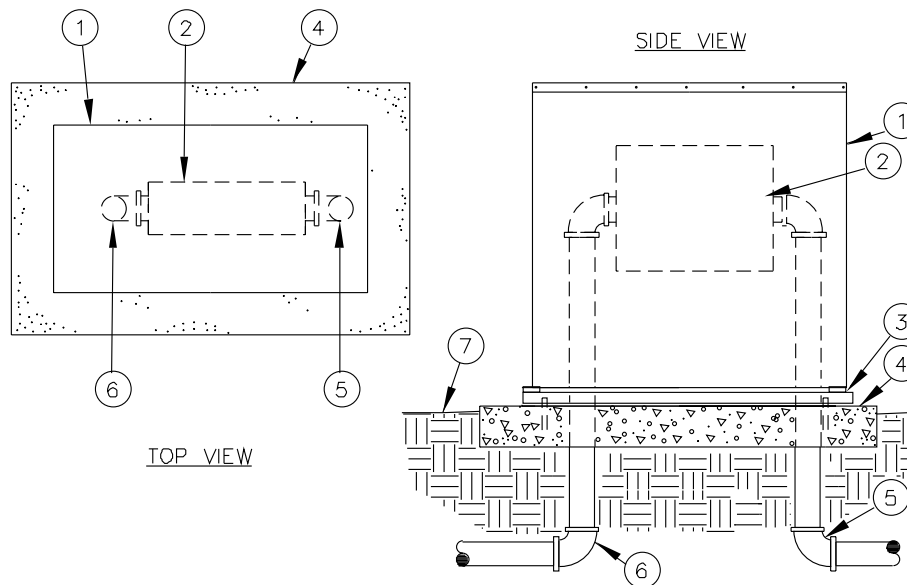
StrongBox Backflow Enclosure Inside Dimensions

	Weight (lbs)	Length (in)	Width (in)	Height (in)
SBBC-22SS/CR	43	20	14	27
SBBC-30SS/CR	53	27	14	27
SBBC-45SS/CR	61	42	14	27
SBBC-20SS	53	18	14	48.5
SBBC-40SS/CR	80	38	23	37.5
SBBC-60SS/CR	111	57	23	37.5
SBBC-75SS/CR	150	72	23	37.5
SBBC-22AL	43	19	14	27.5
SBBC-30AL	51	27	14	27.5
SBBC-45AL	67	42	14	27.5
SBBC-52AL	71	49	14	27.5
SBBC-60AL	82	57	14	27.5
SBBC-40ALHP	88	38	21.5	37.5
SBBC-60ALHP	118	58	21.5	37.5
SBBC-75ALHP	128	73	21.5	37.5
SBBC-90ALHP	158	88	21.5	37.5
BC-30CR	45	27	9	25
BC-45CR	73	42	15	31
BC-75CR	160	72	27	43

INSTALLATION DETAILS

FRONT ENTRY ENCLOSURE

**MODELS: SBBC-22AL, SBBC-30AL,
SBBC-45AL, SBBC-52AL**



- | | |
|----------------------------------------------------------------------------------------------------------------------------------------------------------------------------------------------------------------------------------------|---------------------------------------------------------------------------------------------------------------------------------------------------------------------------------------------------------------------------------------------|
| <ul style="list-style-type: none"> 1. Aluminum Backflow Enclosure 2. Backflow Preventer 3. Framed Mounting Base – powder coated polymer with anchors inset for enclosure and anchor bolt for concrete | <ul style="list-style-type: none"> 4. Poured Concrete Base – 6" min. thickness extend 4" beyond outside of enclosure 5. Water Service Inlet Piping 6. Water Service Outlet Piping 7. Finish Grade |
|----------------------------------------------------------------------------------------------------------------------------------------------------------------------------------------------------------------------------------------|---------------------------------------------------------------------------------------------------------------------------------------------------------------------------------------------------------------------------------------------|

SPECIFICATIONS

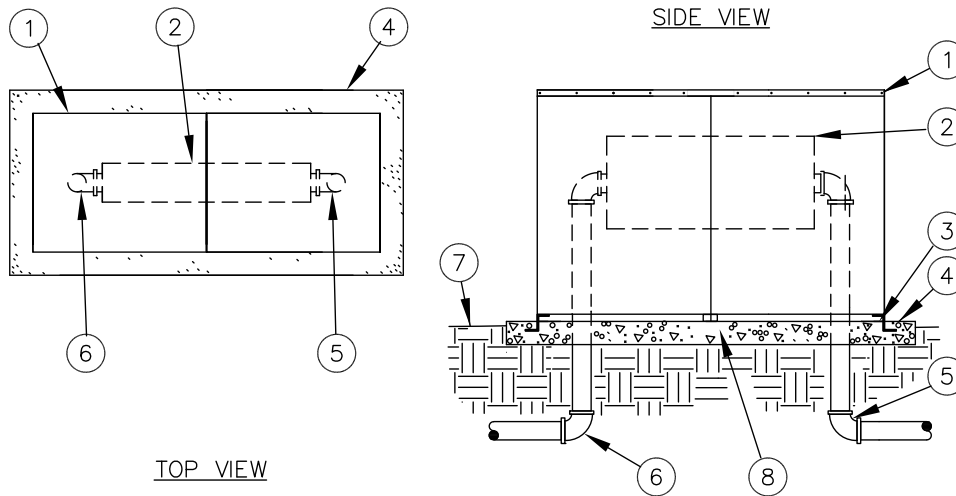
This backflow enclosure is a vandal and weather resistant enclosure formed entirely of marine grade 5052-H32 aluminum alloy, with a wall thickness of 1/8 inch. The main housing is a solid sheet construction with stainless steel carriage bolts used for assembling enclosure top and

ends. The mounting base plate is formed of powder coated stainless steel and is mounted flush with the concrete surface using supplied L-bolt anchors. The enclosure door drops down and the body lifts open, pivoting from the back edge. The enclosure stays secured to the mounting base plate in

open and closed positions with hidden stainless steel hardware. The enclosure door includes a recessed handle and provisions for a padlock. This enclosure has an ASSE 1060 Class III rating.

INSTALLATION DETAILS CLAMSHELL ENTRY ENCLOSURE

**MODELS: SBBC-60AL, SBBC-40ALHP,
SBBC-60ALHP, SBBC-75ALHP, SBBC-90ALHP
PE-40AL, PE-60AL, SBBC-40WALHP**



- | | |
|--------------------------------------------------------------------------------------|--------------------------------|
| 1. Aluminum Enclosure | 5. Water Service Inlet Piping |
| 2. Backflow Preventer/ Pump | 6. Water Service Outlet Piping |
| 3. Anchor Rake Brace | 7. Finish Grade |
| 4. Poured Concrete Base – 6" min. thickness
extend 4" beyond outside of enclosure | 8. Enclosure Foot |

SPECIFICATIONS

This pump enclosure is a vandal and weather resistant enclosure formed entirely of marine grade 5052-H32 aluminum alloy, with a wall thickness of 1/8 inch. The main housing is a solid sheet construction punched on the sides with a rectangular pattern

for ventilation.* The mounting base plate is formed of powder coated stainless steel and secured with provided anchor plates into wet concrete or anchor bolts a minimum of 2 inches deep into cured concrete. The center split design allows enclosure sides

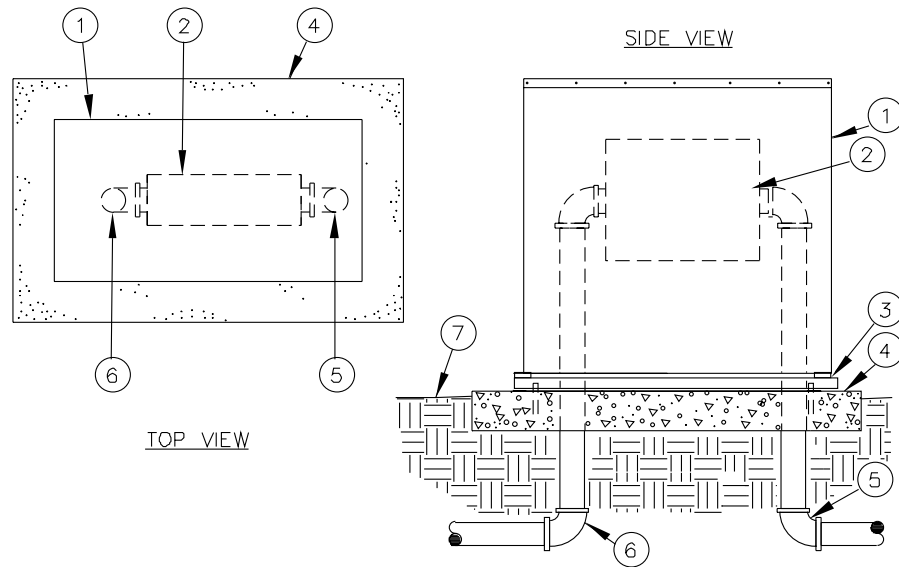
to swing out, pivoting on the mounting hardware at each end. The full release locking mechanism is a stainless steel cross bar that includes provisions for a padlock. This enclosure has an ASSE 1060 Class III rating.

*SBBC-40ALHP, PE-40AL and PE-60AL do not include punched hole pattern.

INSTALLATION DETAILS

FRONT ENTRY INSULATED ENCLOSURE

**MODELS: SBBC-22ALI, SBBC-30ALI,
SBBC-45ALI**



- | | |
|-----------------------------------------------------------------------------------------------------------------------------------------------------------------------------------------------------------------------------------------|--------------------------------------------------------------------------------------------------------------------------------------------------------------------------------------------------------------------------------------------------|
| <ul style="list-style-type: none"> 1. Aluminum Backflow Enclosure 2. Backflow Preventer 3. Framed Mounting Base – powder coated polymer with anchors inset for enclosure and anchor bolts for concrete | <ul style="list-style-type: none"> 4. Poured Concrete Base – 6” minimum thickness – extend 4” beyond outside of enclosure 5. Water Service Inlet Piping 6. Water Service Outlet Piping 7. Finish Grade |
|-----------------------------------------------------------------------------------------------------------------------------------------------------------------------------------------------------------------------------------------|--------------------------------------------------------------------------------------------------------------------------------------------------------------------------------------------------------------------------------------------------|

SPECIFICATIONS

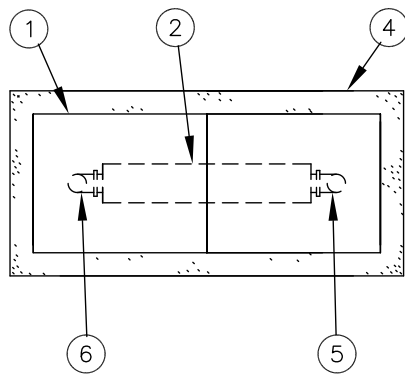
This backflow enclosure is a vandal and weather resistant enclosure formed entirely of marine grade 5052-H32 aluminum alloy, with a wall thickness of 1/8 inch. The main housing is a solid sheet construction with stainless steel carriage bolts used for assembling enclosure top and ends. The mounting base plate is formed of powder coated stainless steel and is mounted

flush with the concrete surface using supplied L-bolt anchors. The enclosure door drops down and the body lifts open, pivoting from the back edge mounted to the base. The enclosure stays secure to the mounting base plate in open and closed positions with hidden stainless steel hardware. The enclosure door includes a recessed handle and provisions for a padlock.

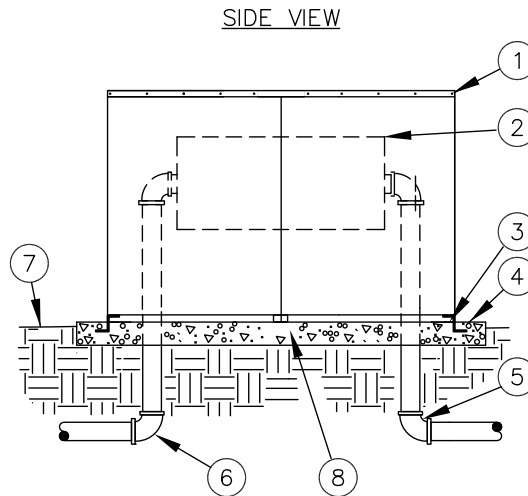
Insulated Polar Bearier bag protects the backflow device from freezing temperatures. Polar Bearier bags provide an R19 insulation rating using Radiant Barrier Foil (RBF) inserted between acrylic polyester and air bubble pack. The Polar Bearier bag is also impervious to moisture.

INSTALLATION DETAILS

**CLAMSHELL ENTRY
INSULATED ENCLOSURE**
**MODELS: SBBC-60ALI SBBC-40ALHPI,
 SBBC-60ALHPI, SBBC-75ALHPI
 SBBC-90ALHPI**



TOP VIEW



SIDE VIEW

- | | |
|----------------------------------------------------------------------------------------|--------------------------------|
| 1. Aluminum Backflow Enclosure | 5. Water Service Inlet Piping |
| 2. Backflow Preventer | 6. Water Service Outlet Piping |
| 3. Anchor Rake Brace | 7. Finish Grade |
| 4. Poured Concrete Base – 6” minimum thickness – extend 4” beyond outside of enclosure | 8. Enclosure Foot |

SPECIFICATIONS

This backflow enclosure is a vandal and weather resistant enclosure formed entirely of marine grade 5052-H32 aluminum alloy, with a wall thickness of 1/8 inch. The main housing is a solid sheet construction. The mounting base plate is formed of powder coated stainless steel and secured with provided anchor plates into wet concrete or

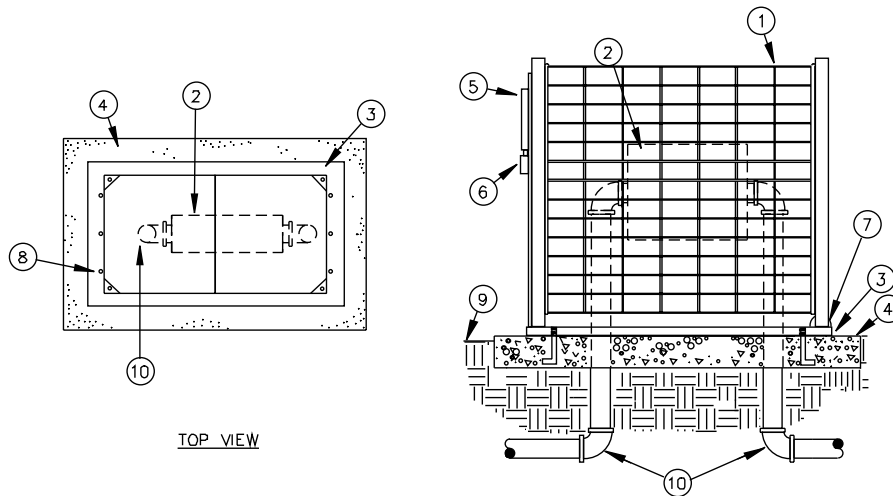
anchor bolts a minimum of 2 inches deep into cured concrete . The center split design allows enclosure sides to swing out, pivoting on the mounting hardware at each end. The full release locking mechanism is a stainless steel cross bar that includes provisions for a padlock. Insulated Polar Bearier bag protects the backflow device

from freezing temperatures. Polar Bearier bags provide an R19 insulation rating using Radiant Barrier Foil (RBF) inserted between acrylic polyester and air bubble pack. The Polar Bearier bag is also impervious to moisture.

**SMOOTH TOUCH™
FRONT ENTRY CAGE**

**MODELS: SBBC-22SS, SBBC-30SS,
SBBC-45SS, SBBC-20SS**

INSTALLATION DETAILS



- | | |
|-----------------------------------------------------------------------------------------------------------------------------------------------------------------------------------------------------------------------------------------------------------------------------------------------------------------|----------------------------------------------------------------------------------------------------------------------------------------------------------------------------------------------------------------------------------------------------------------------------|
| <ol style="list-style-type: none"> 1. Smooth Touch Backflow Cover 2. Backflow Preventer 3. Anchor Base Mount 4. Poured Concrete Base – 6” min. thickness extend 4” beyond outside of enclosure 5. Enclosure Locking Swing Door (door mounted to anchor base) | <ol style="list-style-type: none"> 6. Padlock Protective Cover 7. Enclosure Swivel Point – attached to mounting base in 6 places 8. Enclosure Mounting Base Studs. 3/8” x 3/4” 9. Finish Grade 10. Water Service Piping |
|-----------------------------------------------------------------------------------------------------------------------------------------------------------------------------------------------------------------------------------------------------------------------------------------------------------------|----------------------------------------------------------------------------------------------------------------------------------------------------------------------------------------------------------------------------------------------------------------------------|

SPECIFICATIONS

This backflow cage is a vandal and weather resistant enclosure formed from stainless steel tubing and rod that is finished with a high-performance polymer coating. Special colors are also available to meet city specifications. All locking and mounting hardware is manufactured entirely of stainless steel. The frame of the enclosure is constructed of 1-1/4 inch tubing, including

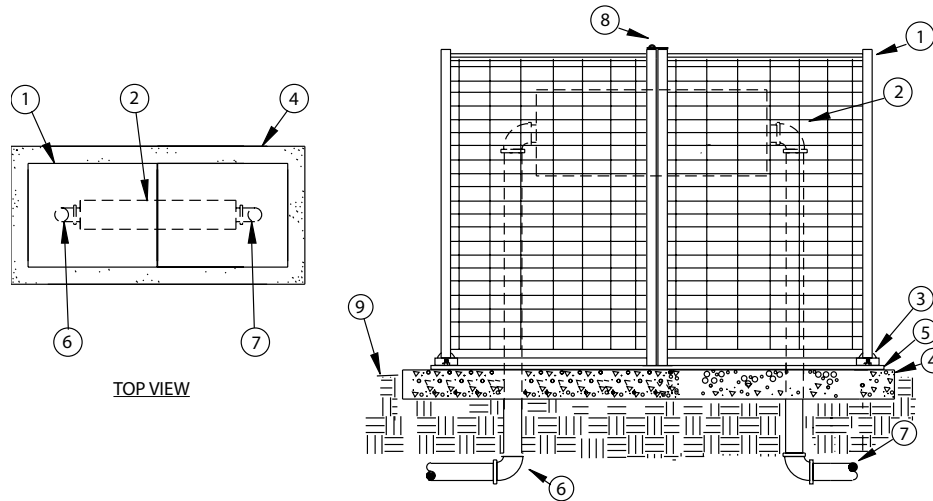
the drop-down door which inserts into the open end of the frame. The top, sides, and end panels are constructed of vertical (3/16 inch thick) and horizontal (1/8 inch thick) rods that are welded together to form a grid pattern with 1 x 2 inch rectangular openings. The grid is then welded onto the tube frame with half inch welds placed no more than 4 inches apart. The mounting base uses four 3/8 inch L-bolt

anchors secured a minimum of 2 inches deep into the concrete pad. To open, the enclosure door drops down and the body lifts open, pivoting from the back edge mounted to the base. When closed, the concealed locking tab has a 7/16 inch hole to secure the enclosure to the door with a padlock. This cage has an ASSE 1060 Class III rating.

SMOOTH TOUCH™ CLAMSHELL ENTRY CAGE

**MODELS: SBBC-40SS, SBBC-60SS,
SBBC-75SS**

INSTALLATION DETAILS



- | | |
|-------------------------------------------------------------------------------------------------------------------------------------------------------------------------------------------------------------------------------------------------------|----------------------------------------------------------------------------------------------------------------------------------------------------------------------------------------------------------------------------------------------------------|
| <ol style="list-style-type: none"> 1. Smooth Touch Backflow Cover 2. Backflow Preventer 3. Secured Swivel Mounting Plates 4. Poured Concrete Base – 6" min. thickness extend 4" beyond outside of enclosure | <ol style="list-style-type: none"> 5. SBBC Mounting Base – fastened or anchor bolted to concrete 6. Water Service Outlet Piping 7. Water Service Inlet Piping 8. Padlock Locking Hasp 9. Finish Grade |
|-------------------------------------------------------------------------------------------------------------------------------------------------------------------------------------------------------------------------------------------------------|----------------------------------------------------------------------------------------------------------------------------------------------------------------------------------------------------------------------------------------------------------|

SPECIFICATIONS

This backflow cage is a vandal and weather resistant enclosure formed from stainless steel tubing and rod that is coated in a high-performance polymer coating. All locking and mounting hardware is manufactured entirely of stainless steel. The frame of the enclosure is constructed of 1-1/4 inch tubing. The top, sides, and end panels are constructed of

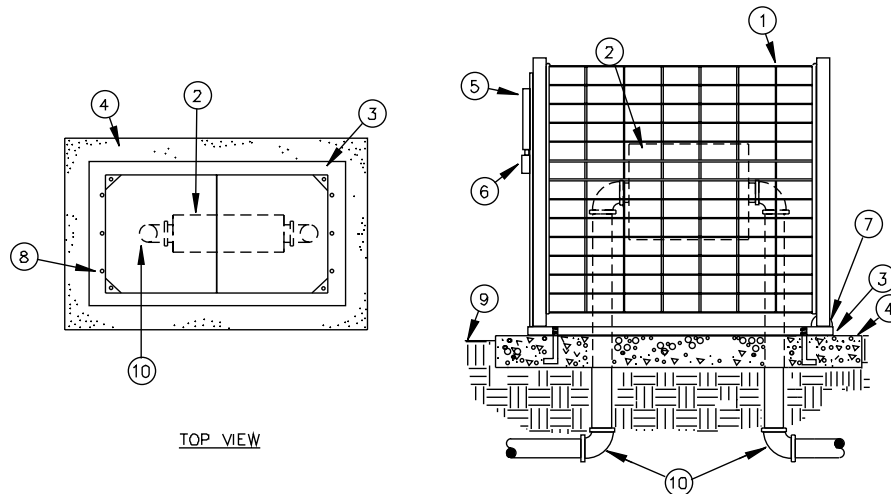
vertical (3/16 inch thick) and horizontal (1/8 inch thick) rods that are welded together to form a grid pattern with 1 x 2 inch rectangular openings. Anchor bolts should be submerged into concrete a minimum of 2 inches, positioning the enclosure 1-1/2 inches above the surface of concrete for drainage purposes. The center split design allows enclosure sides

to flip up, pivoting on the mounting hardware at each end. Vandal proof brackets and a pad-lockable hasp ensures maximum security while cage is closed. This cage has an ASSE 1060 Class III rating.

**SMOOTH TOUCH™
FRONT ENTRY CAGE**

**MODELS: SBBC-22CR, SBBC-30CR,
SBBC-45CR**

INSTALLATION DETAILS



- | | |
|-----------------------------------------------------------------------------------------------------------------------------------------------------------------------------------------------------------------------------------------------------------------------------------------------------------------|---------------------------------------------------------------------------------------------------------------------------------------------------------------------------------------------------------------------------------------------------------------------------------|
| <ol style="list-style-type: none"> 1. Smooth Touch Backflow Cover 2. Backflow Preventer 3. Anchor Base Mount 4. Poured Concrete Base – 6” min. thickness extend 4” beyond outside of enclosure 5. Enclosure Locking Swing Door (door mounted to anchor base) | <ol style="list-style-type: none"> 6. Padlock Protective Cover 7. Enclosure Swivel Point – attached to mounting base in 6 places 8. Enclosure Mounting Base Studs 3/8” x 3/4” 9. Finish Grade 10. Water Service Inlet Piping |
|-----------------------------------------------------------------------------------------------------------------------------------------------------------------------------------------------------------------------------------------------------------------------------------------------------------------|---------------------------------------------------------------------------------------------------------------------------------------------------------------------------------------------------------------------------------------------------------------------------------|

SPECIFICATIONS

This backflow cage is a vandal and weather resistant enclosure formed from cold rolled steel tubing and rod that is coated with a protective rubberized coating. All locking and mounting hardware is manufactured entirely of stainless steel. The frame of the enclosure is constructed of 1-1/4 inch tubing, including the drop-down door which inserts into the open end of the frame. The top, sides and end panels

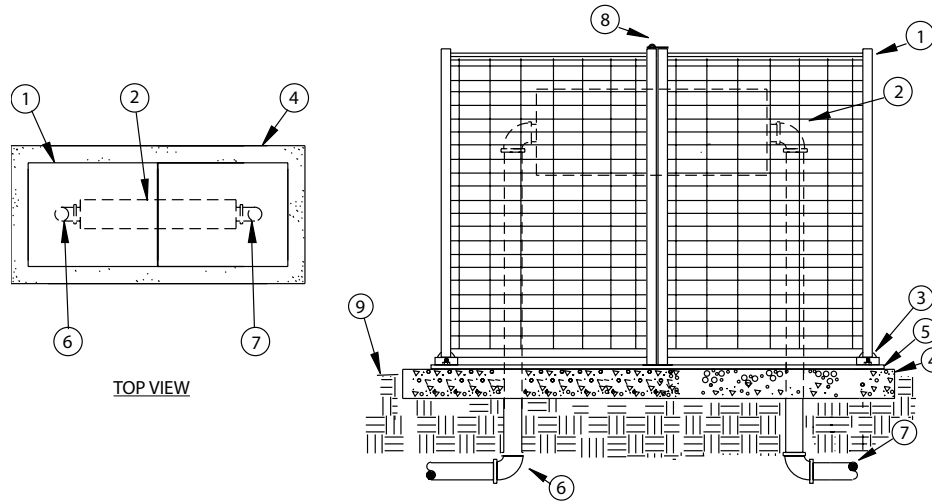
are constructed of vertical (3/16 inch thick) and horizontal (1/8 inch thick) rods that are welded together to form a grid pattern with 1 x 2inch rectangular openings. The grid is then welded onto the tube frame with half inch welds placed no more than 4 inches apart. The mounting base uses four 3/8 inch L-bolts that are to be secured a minimum of 2 inches deep into the concrete

pad. The backflow cage remains bolted to the base in both open and closed positions. To open, the enclosure door drops down and the body lifts open, pivoting from the back edge mounted to the base. When closed, the concealed locking tab has a 7/16 inch hole to secure the enclosure and door with a padlock. This cage has an ASSE 1060 Class III rating.

SMOOTH TOUCH™ CLAMSHELL ENTRY CAGE

**MODELS: SBBC-40CR, SBBC-60CR,
SBBC-75CR**

INSTALLATION DETAILS



- | | |
|------------------------------------------------------------------------------------------------------------------------------------------------------------------------------------------------------------------------------------------------------------|----------------------------------------------------------------------------------------------------------------------------------------------------------------------------------------------------------------------------------------------------------|
| <ol style="list-style-type: none"> 1. Smooth Touch Backflow Cover 2. Backflow Preventer 3. Secured Swivel Mounting Plates 4. Poured Concrete Base – 6" minimum thickness – extend 4" beyond outside of enclosure | <ol style="list-style-type: none"> 5. SBBC Mounting Base – fastened or anchor bolted to concrete 6. Water Service Outlet Piping 7. Water Service Inlet Piping 8. Padlock Locking Hasp 9. Finish Grade |
|------------------------------------------------------------------------------------------------------------------------------------------------------------------------------------------------------------------------------------------------------------|----------------------------------------------------------------------------------------------------------------------------------------------------------------------------------------------------------------------------------------------------------|

SPECIFICATIONS

This backflow cage is a vandal and weather resistant enclosure formed from cold rolled steel tubing and rod that is coated in a protective rubberized coating. All locking and mounting hardware is manufactured entirely of stainless steel. The frame of the enclosure is constructed of 1-1/4 inch tubing. The top, sides, and end panels are constructed of vertical (3/16

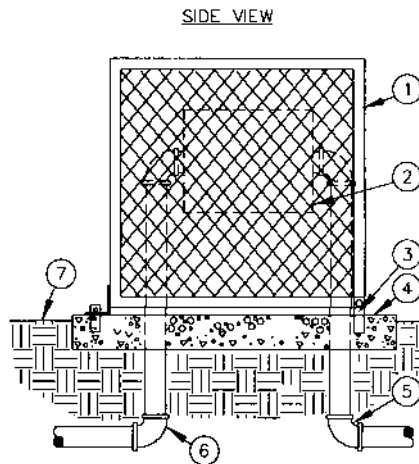
inch thick) and horizontal (1/8 inch thick) rods that are welded together to form a grid pattern with 1 x 2 inch rectangular openings. Anchor bolts should be submerged into concrete a minimum of 2 inches, positioning the enclosure 1-1/2 inches above the surface of concrete for drainage purposes. The center split design allows enclosure sides to flip up, pivoting on the

mounting hardware at each end. Vandal proof brackets and a pad-lockable hasp ensures maximum security while cage is closed. This cage has an ASSE 1060 Class III rating.

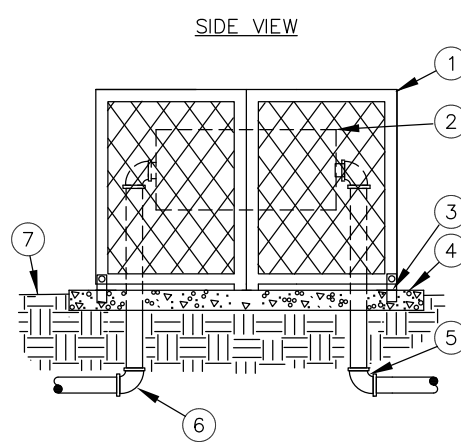
INSTALLATION DETAILS

EXPANDED METAL CAGES

MODELS: BC-30CR, BC-45CR,
BC-75CR



FRONT ENTRY
BC-30CR, BC-45CR



CLAMSHELL ENTRY
BC-75CR

1. Expanded Metal Backflow Enclosure
2. Backflow Preventer
3. Anchor Bracket
4. Poured Concrete Base – 6" minimum thickness – extend 4" beyond outside of enclosure

5. Water Service Inlet Pipe
6. Water Service Outlet Pipe
7. Finish Grade

SPECIFICATIONS

This backflow cage is a vandal and weather resistant enclosure formed from expanded metal. The cage is covered with a zinc-based powder coat primer, then powder coated with a polyester TGIC coating having a minimum thickness of 2.5 mils. The cage includes a bracket-

mounted hinge that is carriage bolted on one end to allow for exposure of the backflow, with and a pad-lockable tab on the other end. The mounting brackets at the base of the cage are to be submerged into concrete a minimum of 2 inches, positioning the enclosure 1-1/2 inches above

the surface for drainage purposes. Handles are attached to the sides to allow for raising and lowering of the cage.

METERED PEDESTALS & ENCLOSURES

WEATHER RESISTANT – VANDAL RESISTANT

- Provides metered power distribution for street lighting, park lighting, private development lighting, traffic signals, signage, irrigation, pump, and cellular applications
- 100% stainless steel construction assures long term, rustproof durability and additional strength
- Double door design separates utility and customer meter sections
- Powdercoat colors available at additional charge
- NEMA TYPE 3R and UL 508A Listed

SERVICE PEDESTALS



EUSERC 308 compliant service pedestals are available in multiple sizes and configurations. Each includes separate meter and load center sections with padlock provisions. Swing side top door locks open for safety and allows for full exposure of meter compartment.

DUAL PEDESTALS



Dual Meter Pedestals allow for separate billing of metered power distribution. This pedestal is Caltrans Type III-CF compliant and available metered and non-metered.

NON-METERED ENCLOSURE



Ideal for remote locations and event applications where electricity is metered upstream. Available in multiple configurations with allowances for up to 16 circuits.

METERED ENCLOSURES



Based off our popular SB-24SS enclosure, this double door design includes a 12 inch deep storage section in the back and extra large viewing window in the front.

**MPS
Meter Pedestal**

- 18" Wide, 52" High, 20" Deep
- Double door design with swing side top section
- Hinged viewing window for easy programming
- All access points include padlock provisions
- EUSERC 308 Compliant*
- NEMA TYPE 3R Rated UL 508A Listed
- Anchor bolts included for installation
- 10 Year Limited Warranty

METER SECTION

- Meter Socket: 4 or 7 Jaw; 100 or 200 Amp Available
- 120v, 208v and 240v Models Available

CUSTOMER SECTION

- Up to 21" x 7" customer usable area
- 100-200 amp load centers with up to 26 circuits

SPECIFICATIONS ON PAGE 47**MPE
Meter Pedestal with Enclosure SB-1852SS**

- 18" Wide, 52" High, 32" Deep
- Upgrade any MPS Model No. to an MPE
- Maximum storage with attached enclosure
- EUSERC 308 Compliant*
- NEMA TYPE 3R Rated UL 508A Listed
- 10 Year Limited Warranty

ENCLOSURE SECTION

- Enclosure SB-1852SS addition (See Page 4)
- Removable backboard for mounting components
- Large door-mounted storage area
- Cross flow side louvers for ventilation

SPECIFICATIONS ON PAGE 48

*EUSERC 308 Compliance does not include ringless option.

MPS Standard Model Numbers

	Model No	Main Amps	Voltage	Phase	Jaw	Wires	AIC Rating	Breaker Positions
1 PHASE	MPS-11016-10	100	120/240	1	4	3	10,000	16
	MPS-11016-22	100	120/240	1	4	3	22,000	16
	MPS-11016-65	100	120/240	1	4	3	65,000	16
	MPS-11026-65	100	120/240	1	4	3	65,000	26
	MPS-11226-22	125	120/240	1	4	3	22,000	26
	MPS-11226-65	125	120/240	1	4	3	65,000	26
	MPS-11526-22	150	120/240	1	4	3	22,000	26
	MPS-11526-65	150	120/240	1	4	3	65,000	26
	MPS-12016-22	200	120/240	1	4	3	22,000	16
	MPS-12016-65	200	120/240	1	4	3	65,000	16
	MPS-12026-22	200	120/240	1	4	3	22,000	26
	MPS-12026-65	200	120/240	1	4	3	65,000	26
3 PHASE	MPS-31018-10	100	120/208	3	7	4	10,000	18
	MPS-31018-22	100	120/208	3	7	4	22,000	18
	MPS-31018-65	100	120/208	3	7	4	65,000	18
	MPS-32024-10	200	120/208	3	7	4	10,000	24
	MPS-32024-22	200	120/208	3	7	4	22,000	24
	MPS-32024-65	200	120/208	3	7	4	65,000	24

T-Fuse available on select models. No-distribution options available upon request.

CSP Commercial Service Pedestal

- 16" Wide, 48" High, 16.25" Deep
- Double door design with swing side top section
- Hinged viewing window for easy programming
- All access points include padlock provisions
- Caltrans Type III-BF & ES-2E Compliant
- EUSERC 308 Compliant*
- NEMA TYPE 3R Rated UL 508A Listed
- Metered and Unmetered Available
- Anchor bolts included
- 10 Year Limited Warranty

METER SECTION

- Meter Socket: 4 Jaw, 100 or 200 Amp
- 120v, 208v and 240v models available
- Meter Socket with Test Blocks
- Utility Landing Lugs: 200 Amp

CUSTOMER SECTION

- 11" x 14" customer usable area
- 100 and 200 amp load centers with up to 16 circuits



SPECIFICATIONS ON PAGE 49

CSP Standard Model Numbers

Model No	Main Amps	Voltage	Phase	Jaw	Wires	AIC Rating	Breaker Positions
CSP-11008-10	100	120/240	1	4	3	10,000	8
CSP-11008-22	100	120/240	1	4	3	22,000	8
CSP-11008-65	100	120/240	1	4	3	65,000	8
CSP-11016-10	100	120/240	1	4	3	10,000	16
CSP-11016-22	100	120/240	1	4	3	22,000	16
CSP-11016-65	100	120/240	1	4	3	65,000	16
CSP-12016-10	200	120/240	1	4	3	10,000	16
CSP-12016-22	200	120/240	1	4	3	22,000	16
CSP-12016-65	200	120/240	1	4	3	65,000	16

T-Fuse available on select models. No-distribution options available upon request.

*EUSERC 308 Compliance does not include ringless option.

DSP Dual Service Pedestal

- 26" Wide, 50" High, 17.25" Deep
- Double door design with lift-up top section
- Hinged viewing window for easy programming
- All access points include padlock provisions
- Caltrans Type III-CF compliant
- EUSERC 308A Compliant
- NEMA TYPE 3R Rated UL 508A Listed
- Metered and Unmetered Available
- Anchor bolts included
- 10 Year Limited Warranty

METER SECTION

- Meter Socket: 4 Jaw, 100 Amp
- 120 or 240v models available
- Meter Socket with Test Blocks
- Utility Landing Lugs: 200 Amps

CUSTOMER SECTION

- 11" x 14" customer usable area
- 100 amp load centers with up to 16 circuits (per meter)



SPECIFICATIONS ON PAGE 50

DSP Standard Model Numbers

Model No	Main Amps	Voltage	Phase	Jaw	Wires	AIC Rating	Breaker Positions
DSP-11008-10	100A 100A	120/240	1	4	3	10,000	8 8
DSP-11008-22	100A 100A	120/240	1	4	3	22,000	8 8
DSP-11008-65	100A 100A	120/240	1	4	3	65,000	8 8
DSP-11016-10	100A 100A	120/240	1	4	3	10,000	16 16
DSP-11016-22	100A 100A	120/240	1	4	3	22,000	16 16
DSP-11016-65	100A 100A	120/240	1	4	3	65,000	16 16

T-Fuse available on select models. No-distribution options available upon request.

**SB-24SS/240V
Metered Enclosure 240 Volt**

- 24" Wide, 48" High, 29" Deep
- 100% Stainless Steel
- Three point locking system with padlock provisions
- Double door design
- 12" deep storage with removable backboard
- EUSERC 309 Compliant
- NEMA TYPE 3R Rated UL 508A Listed
- Mounting template and anchor bolts included
- 10 year limited warranty

METER SECTION

- 24" Wide, 31" High, 15" Deep
- Meter Socket: 4 Jaw, 100 Amps
- 240 Volt Meter Socket with Test Blocks
- 8 Position, 100 Amp Load Center
- Hinged viewing window

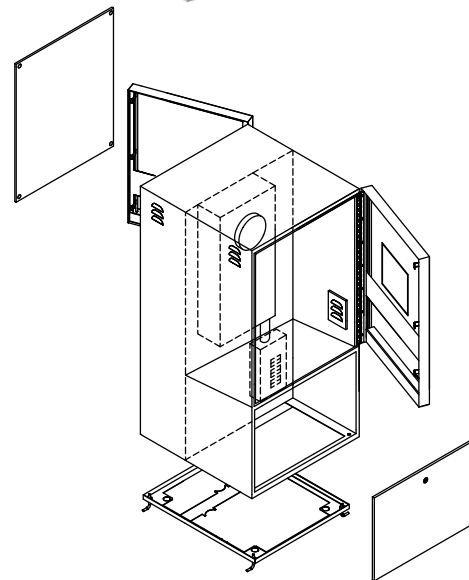
CUSTOMER SECTION

- 10" Wide, 11" High 15" Deep usable area
- Removable, pre-drilled backboard
- Large door-mounted storage area and literature storage pocket
- Filtered Side Louvers

STORAGE SECTION

- 24" Wide 48" High 10" Deep

SPECIFICATIONS ON PAGE 51



SB Metered Enclosure Standard Model Numbers

Model No	Main Amps	Voltage	Phase	Jaw	Wires	Breaker Positions
SB-24SS-240V	100	120/240	1	4	3	8

PED-24SS-240V

For SB24SS/240V metered enclosure

- 24.5" Wide, 24" Deep, 12" High



**PWP
Power Pedestal**

- 17" Wide, 31" High, 17" Deep
- 100% Stainless Steel
- All access points include padlock provisions
- NEMA TYPE 3R Rated and UL 508A Listed
- Anchor bolts included for installation
- 10 Year Limited Warranty

CUSTOMER SECTION

- Up to 21" x 7" customer usable area
- 100-200 amp load centers with up to 16 circuits



SPECIFICATIONS ON PAGE 52



PWP Standard Model Numbers

Model No	Main Amps	Voltage	Phase	Jaw	Wires	AIC Rating	Breaker Positions
PWP-11016-10	100	120/240	1	4	3	10,000	16
PWP-11016-22	100	120/240	1	4	3	22,000	16
PWP-11016-65	100	120/240	1	4	3	65,000	16
PWP-12016-22	200	120/240	1	4	3	22,000	16
PWP-12016-65	200	120/240	1	4	3	65,000	16

SERIES: MPS 1 PHASE	OPTIONS AVAILABLE		
	AMPERAGE	LOAD CENTER	
	100A	8 POSITION 16 POSITION 26 POSITION	
	125A		
	150A		
	175A		
	200A		
AIC RATING			
10,000	22,000	65,000	

SERIES: MPS 3 PHASE	OPTIONS AVAILABLE		
	AMPERAGE	LOAD CENTER	
	100A	18 POSITION 24 POSITION	
	125A		
	150A		
	175A		
	200A		
AIC RATING			
10,000	22,000	65,000	

SERIES: CSP 1 PHASE	OPTIONS AVAILABLE		
	AMPERAGE	LOAD CENTER	
	100A	8 POSITION 16 POSITION	
	125A		
	150A		
	175A		
	200A		
AIC RATING			
10,000	22,000	65,000	

SERIES: DSP 1 PHASE	OPTIONS AVAILABLE		
	AMPERAGE	LOAD CENTER	
	100A	8 POSITION 16 POSITION	
	AIC RATING		
	10,000	22,000	65,000

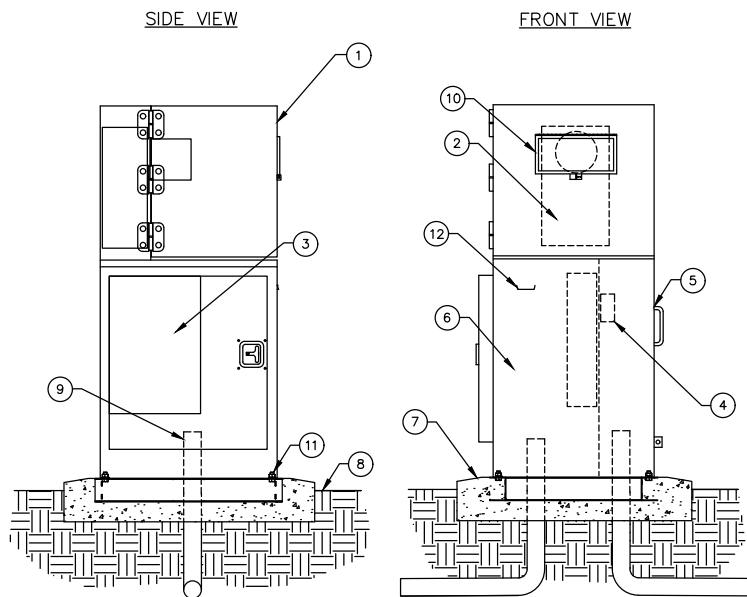
SERIES: PWP 1 PHASE	OPTIONS AVAILABLE	
	AMPERAGE	LOAD CENTER
	100A	8 POSITION
	200A	16 POSITION
	AIC RATING	
10,000	22,000 65,000	

*Load center with no distribution also available. Contact factory for details about all non-standard configurations.

INSTALLATION DETAILS

MPS

COMMERCIAL METER PEDESTAL



1. Hinged removable lid
2. Meter socket with test blocks
3. Load center
4. Landing lugs
5. Landing lug compartment
6. Load center compartment
7. Poured concrete base—6" min thickness—extend 6" beyond out side dimensions of enclosure with 1/2% slope for drainage
8. Finish grade
9. Underground service
10. Meter viewing window 5" x 10"
11. 3/8" stainless anchor bolts
12. Photo Cell with test switch (option)

SPECIFICATIONS

This meter pedestal is a vandal and weather resistant enclosure formed entirely from stainless steel with a #4 brushed finish. The meter section is located at the top of the pedestal and houses a meter socket and test blocks. The top section uses a side swing style door to fully expose the meter compartment for ease of access to the meter and test blocks. The top is supported by 3 large stainless steel hinges with 1/4" "lift off" style pins that allow the top to

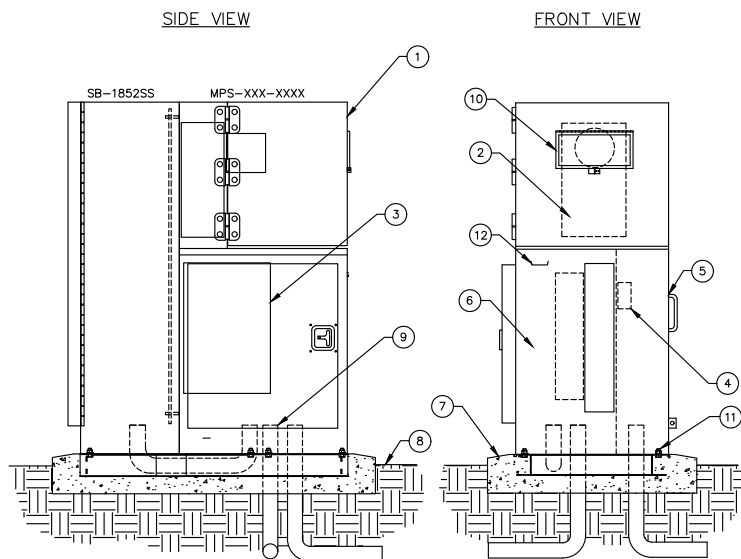
be completely removed if needed. A replaceable 5 x 10 inch, 3/16 inch-thick Lexan viewing window is provided. The utility compartment is located on the right side of the enclosure and houses the landing lugs. The 20 x 30 inch customer electrical compartment is located on the left side and is capable of housing up to a 26 circuit load center with a removable dead front protective panel. A stainless steel electrical backboard is

provided for ease of wiring and grounding of electrical components. The customer compartment is outfitted with a continuously welded and hemmed, stainless steel door that uses a T handle latching system, hidden behind a flush mounted access door. All doors are equipped with watershed drainage channels and provisions for a padlock, ensuring a watertight and vandal resistant design. This enclosure is NEMA 3R rated and UL 508A listed.

INSTALLATION DETAILS

MPE

METER PEDESTAL WITH ATTACHED ENCLOSURE



1. Hinged removable lid
2. Meter socket with test blocks
3. Load center
4. Landing lugs
6. Landing lug compartment
7. Poured concrete base—6" min. thickness—extend 6" beyond outside dimensions of enclosure with 1/2% slope for drainage
8. Finish grade
9. Underground service
10. Meter viewing window 2" x 4"
11. 3/8" stainless anchor bolts
12. Photo Cell with test switch (option)

SPECIFICATIONS

This meter pedestal and enclosure combination is a vandal and weather resistant enclosure formed entirely from stainless steel with a #4 brushed finish. The meter section is located on the top of the pedestal and houses a meter socket and test blocks. The top section uses a side swing style door to fully expose the meter compartment for ease of access to the meter and test blocks. The top is supported by 3 large stainless steel hinges with 1/4" "lift off" style pins that allow the top to be completely removed. A replaceable 5 x 10 inch, 3/16 inch-

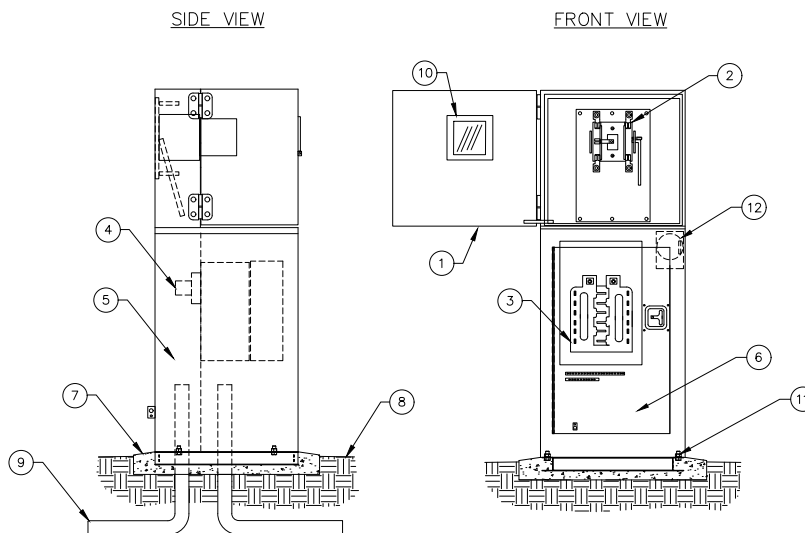
thick Lexan viewing window is provided for meter reading. The utility compartment is located on the right side of the enclosure and houses the landing lugs. The 20 x 30 inch customer electrical compartment is located on the left side and is capable of housing up to a 26 circuit load center with a removable dead front protective panel. A stainless steel electrical backboard is provided for ease of wiring and grounding of electrical components. The customer compartment is outfitted with a continuously welded and hemmed, stainless steel door that

uses a T handle latching system, hidden behind a flush mounted access door. All doors are equipped with watershed drainage channels and provisions for a padlock, ensuring a watertight and vandal resistant design. A SB-1852SS enclosure is attached to the back of the meter pedestal for additional storage and mounting additional electronic equipment. See Page 4 for specifications on the SB-1852SS. This metered pedestal and enclosure are NEMA 3R rated and UL 508A listed.

INSTALLATION DETAILS

CSP

COMMERCIAL SERVICE PEDESTAL



1. Hinged removable lid
2. Meter socket with test blocks
3. Load center
4. Landing lugs
5. Landing lug compartment
6. Load center compartment
7. Poured concrete base—6" min. thickness—extend 6" beyond outside dimensions of enclosure with 1/2% slope for drainage
8. Finish grade
9. Underground service
10. Meter viewing window 5" x 10"
11. 3/8" stainless anchor bolts
12. Photo cell with test switch (option)

SPECIFICATIONS

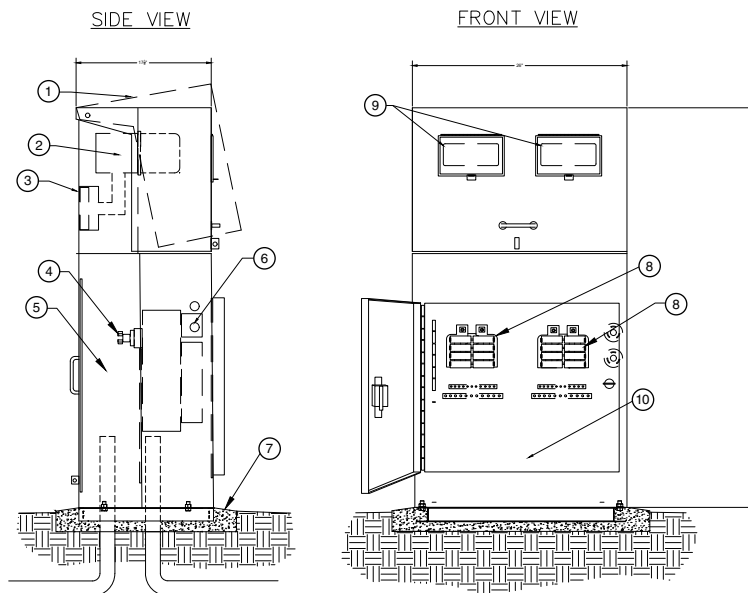
The meter pedestal is a vandal and weather resistant enclosure formed entirely from 16-gauge stainless steel with a #4 brushed finish. The meter section is located at the top front of the pedestal and houses a EUSERC approved meter socket and test blocks. The meter section uses a side swing style door that opens 180 degrees to provide full access to the meter socket and test blocks. The top is supported by 2 heavy-duty stainless steel hinges with 3/8 inch "lift off" style pins that allow the top to be completely removed if needed. A replaceable 3/16 inch-thick

Lexan viewing window is provided for meter reading. The meter section accepts a ring style meter and face to be attached to the socket. The meter face may be removed without disconnecting the meter bulb. The customer section is located on the lower front of the pedestal. This section is outfitted with a continuously welded and hemmed stainless steel door that closes using a T handle latching system, hidden behind a flush mounted access door. The door includes a continuous piano hinge that is installed using carriage bolts. The compartment houses two load

centers with over current protective devices. The utility landing section is located on the rear side with a removable panel for full access to the landing lugs. The landing lugs are made of aluminum using hexagon screws for tightening. The internal housing will be fitted with a dead front panel so that only the breaker switches are exposed. All doors are equipped with watershed drainage channels and provisions for a padlock, ensuring a watertight and vandal resistant design. This enclosure is NEMA 3R rated, UL508A listed and complies with EUSERC electrical standards and current NEC codes.

INSTALLATION DETAILS

DSP DUAL METER PEDESTAL



1. Hinged removable lid
2. Meter socket
3. Test blocks
4. Landing lugs
5. Utility Section
6. Photocell with test switch
7. Poured concrete base—6" min. thickness—extend 6" beyond outside dimensions of enclosure with 1/2% slope for drainage
8. Load Centers
9. Meter viewing windows
10. Customer Section

SPECIFICATIONS

The DSP series dual-meter pedestals are vandal and weather resistant enclosures made entirely of 14-gauge stainless steel, using welded construction and having a #4 brushed finish. The meter section is located at the top-front of the pedestal and houses EUSERC approved meter sockets and test blocks. The top cover is top-swing style and can be opened more than 180 degrees to provide clear access to meter socket and test blocks. Fully hemmed construction eliminates the potential for sharp edges. The top cover is attached using two heavy-duty 3/8" stainless steel bolts that when removed, allow

complete removal of the top cover if necessary. Two replaceable 3/16" thick polycarbonate viewing windows are provided for meter reading. The meter section accepts ring style meters, and the meter face may be removed without disconnecting the meter bulb.

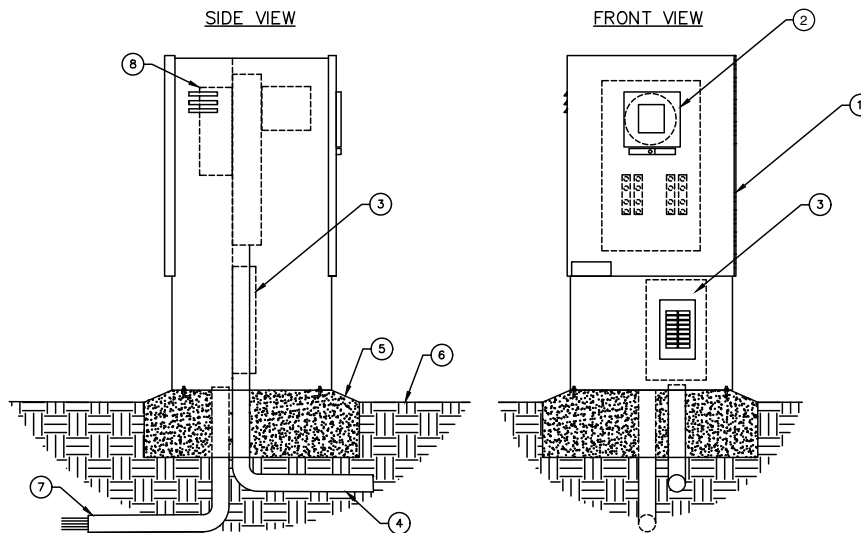
The customer section is located on the lower front of the pedestal. This section is outfitted with a continuously welded and fully hemmed stainless steel door that is secured with a T-handle style latching system hidden behind a flush-mounted access door. The door includes a full length piano hinge installed using carriage

bolts. The compartment houses two load centers with over current protective devices. A dead front panel is included to guard against exposure to live electrical circuits. The utility landing section is located on the rear side with a removable panel for full access to the landing lugs. The landing lugs are made of aluminum using hexagonal screws for tightening. All doors are equipped with watershed drainage channels and provisions for a padlock, ensuring a watertight and vandal resistant design. The entire enclosure is rated Type 3R, UL508A listed and complies with EUSERC electrical standards and current NEC codes.

INSTALLATION DETAILS

METERED ENCLOSURE

MODELS: SB-24SS/240V



- | | |
|--------------------------------------------------------------------------------------------------------------------------------------------------------------------------------------------------------------------------------------------------------------------------------------------------------------------------------------------------|--------------------------------------------------------------------------------------------------------------------------------------------------------------|
| <ul style="list-style-type: none"> 1. Metered controller enclosure 2. Meter socket with test blocks 3. Load center 4. Conduit (not supplied) for line feed into meter 5. Poured concrete base—6" min. thickness extend 6" beyond outside dimensions of enclosure with 1/2% slope for drainage | <ul style="list-style-type: none"> 6. Finish grade 7. Direct burial control wires to control valves 8. Automatic controller |
|--------------------------------------------------------------------------------------------------------------------------------------------------------------------------------------------------------------------------------------------------------------------------------------------------------------------------------------------------|--------------------------------------------------------------------------------------------------------------------------------------------------------------|

SPECIFICATIONS

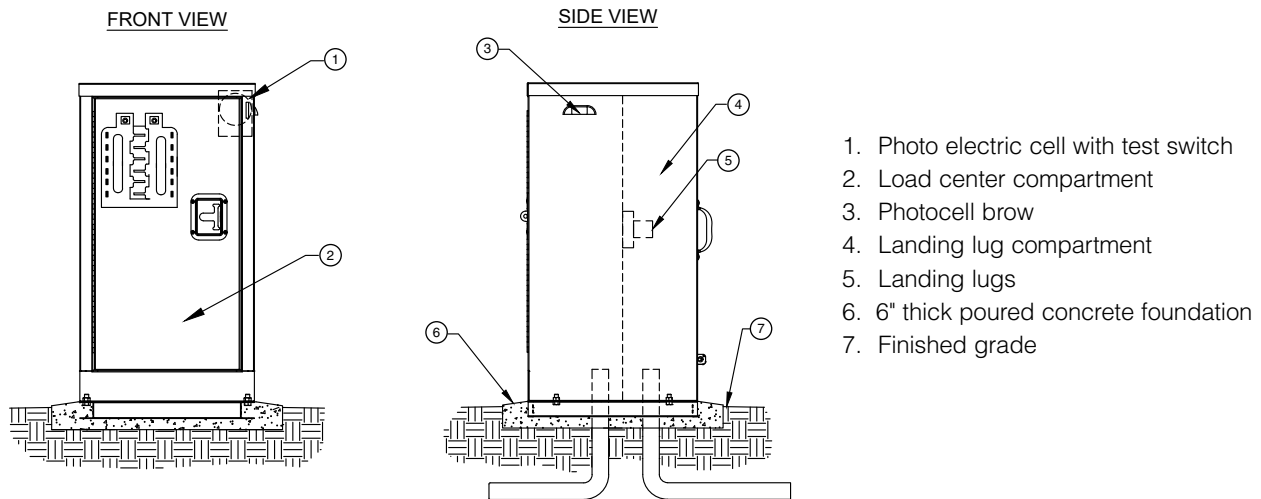
This dual meter pedestal is a vandal and weather resistant enclosure formed entirely of stainless steel with a #4 brushed finish and front and back double door design. The front section houses a UL listed, EUSERC approved 100 Amp rated commercial meter socket with test blocks and bypass provision. The back section includes a removable stainless steel backboard for

controller mounting which is attached on four stainless steel bolts. The back section is louvered to allow for cross flow ventilation and filter screens deflect protect against water spray, insects and dust. The inside door includes a stainless steel continuous piano hinge and provides adequate storage for instructions or plans. The flush

mounted handles control the locking mechanisms and include T handle locking mechanism has provisions for a padlock. A continuous drainage channel around all sides of door faces provides a water-tight seal with the tear drop shaped, hollow center, thermoplastic door seal. This enclosure is NEMA 3R rated and UL 508A listed.

INSTALLATION DETAILS

PWP POWER PEDESTAL



SPECIFICATIONS

This power pedestal is a vandal and weather resistant enclosure formed entirely from stainless steel with a #4 brushed finish. The utility landing section is located on the rear side with a removable panel for full access to the landing lugs. The landing lugs are made of aluminum using hex drive screws for tightening. The 17 x 30 inch customer electrical compartment is

located on the front and is capable of housing up to a 16 circuit load center with a removable dead front protective panel so that only the breaker switches are exposed. A stainless steel electrical backboard is provided for ease of wiring and grounding of electrical components. The customer compartment is outfitted with a continuously welded and

hemmed, stainless steel door that uses a T-handle latching system.

All doors are equipped with water shedding drainage channels and provisions for a padlock, ensuring a watertight and vandal resistant design. This enclosure is NEMA 3R rated and UL 508A listed and complies with current NEC codes.



ENCLOSURE ACCESSORIES

WEATHER RESISTANT – VANDAL RESISTANT

- Quality enclosure add-ons designed for unique applications and environments
- Compatible with StrongBox meters and enclosures for a secure fit. Externally mounted enclosure options maintain NEMA rating and protection with a water-tight, gasket-ed seal
- Enclosure options can be installed by the factory for a complete, attractive finished product
- Provides additional protection and usability to enclosure and components

ACCESSORY COVERS



Protect your enclosure add-ons from vandalism with heavy-duty, stainless steel covers.

QUICK PADS



QuickPad™ mounting and support system makes installing your StrongBox enclosure quick and easy.

ENCLOSURE OPTIONS



Expand your enclosure's capabilities with a thermostatically controlled fan or controller subassembly.

METER ACCESSORIES



Popular meter pedestal add-ons include photocells, branch breakers, and mounting bases.

SOLAR SYNC COVER

Solar Sync Cover is designed to protect Solar Sync switches from vandalism and made to attach to StrongBox enclosures with gasket seal.

SRSE**RAIN SWITCH ENCLOSURE**

The Rain Switch Enclosure is designed to protect WCS and Mini-Click Rain Switches from vandalism.

RGVRSS**POLE MOUNT RAIN SWITCH ENCLOSURE**

Mounts to 2" galvanized pipe. Designed to protect WCS and Mini-Click Rain Switches from vandalism.

RGVRSS-P**36 & 52 STATION CONTROLLER
SUBASSEMBLY**

This package includes 120 volt, 15 amp, ground fault protected duplex box with receptacle and locking switch; flexible conduit and conduit; and terminal strips with placards.

CSA 36 Stations**CSA-52** 52 Stations**THERMOSTATICALLY CONTROLLED FAN**

The fan is easily installed and can be adjusted in the field to help maintain desired enclosure temperature.

OPT-FAN



QUICKPAD™ ENCLOSURE MOUNTING PAD FOR STRONG BOX® ENCLOSURES



Our QuickPad™ mounting pad with support base makes installation and mounting of StrongBox® enclosures easier than ever. No concrete is needed.

The mounting pad uses our unique fastening system that allows for easy, secure attachment of the enclosure to the pad and the pad to the support base.

Together, the heavy-duty pad, support base and a Strong Box® enclosure form a complete unit that is secure, stable and vandal resistant.

The buried support base provides added stability and security for the entire assembly.

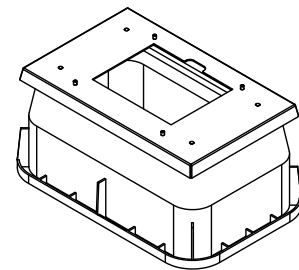
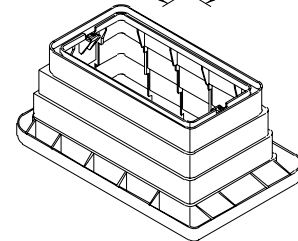
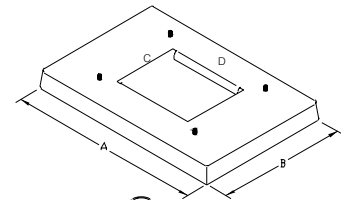
All mounting hardware is stainless steel to prevent corrosion and rust.

Patent No 6,321,928.

QuickPads for StrongBox® Enclosures

DIMENSIONS (in)

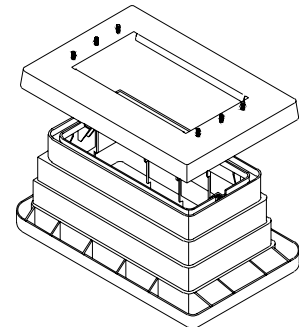
		A	B	C	D
QP-16	QuickPad for SB-16	28.5	18.5	13.0	10.5
QP-18	QuickPad for SB-18	28.5	18.5	15.0	7.0
QP-18D	QuickPad for SB-18D	28.5	28.5	15.6	10.5
QP-22	QuickPad for SB-22	28.5	28.5	13.6	10.5
QP-24	QuickPad for SB-24	28.5	18.5	21.0	7.0
QP-24D	QuickPad for SB-24D	28.5	28.5	14.5	10.5
QP-M	QuickPad for SB24SS/240V	28.5	28.5	14.5	10.5
QP-LD16	QuickPad for LD-16	20.0	17.0	9.5	5.0
QP-CSP	QuickPad for CSP Meters	28.5	18.5	12.5	15.5
QP-MPS	QuickPad for MPS Meters	32.0	25.0	16.0	12.5
QP-MPE	QuickPad for MPE Meters	32.0	25.0	14.8	13.1
	*MPE dimensions for meter and enclosure			6.5	14.3



QuickPads for StrongBox® Backflow Cages

DIMENSIONS (in)

		A	B	C	D
QP-22BF	QuickPad for SBBC-22 Series	28.5	19.0	13.6	10.5
QP-20BF	QuickPad for SBBC-20 Series	32.0	19.0	17.8	10.0
QP-30BF	QuickPad for SBBC-30 Series	32.0	19.0	24.0	10.0
QP-45BF	QuickPad for SBBC-45 Series	49.0	19.0	42.0	10.0



TIME CLOCK

- Available for MPS, CSP and DSP series meters
- Intermatic ET-Series 1, 2, and 4 channel options available



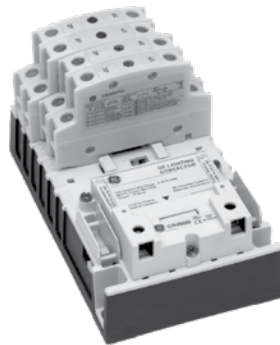
PHOTOCELLS

- Available on MPS and CSP series meter pedestals
- Ripley 6390TF with bypass switch included



CONTACT BLOCK

- GE 30A Modular contactors available on MPS and CSP meter pedestals
- 2P, 4P, 6P, 8P, 10P, and 12P options available
- Meter Pedestals can utilize two (2) GE Modular Contactors individually configured for two (2) to twelve (12) poles each



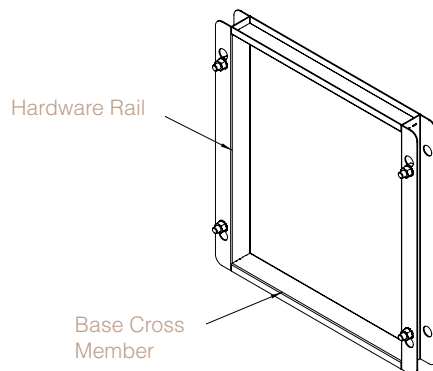
BRANCH BREAKERS

- Many options available. Contact factory for specs



METER MOUNTING BASE

The go-to solution for installing your StrongBox meter pedestal. 100% Stainless Steel construction means long lasting durability and corrosion resistance.



MPS-BASE

For MPS meter pedestals

- 20" Wide 18" Deep 3.25" High

MPE-BASE

For MPE meter pedestal and enclosure

- 29.5" Wide 18" Deep 3.5" High

CSP-B BASE

For CSP meter pedestal

- 16.5" Wide 15.75" Deep 1.5" High

DSP BASE

For DSP meter pedestal

- 22.25" Wide 12.25" Deep 1.5" High

TREE & SPRINKLER SUPPORT AND PROTECTION



- Made with the finest materials and manufacturing techniques to ensure the best quality for your landscape products
- Highly durable and UV resistant
- Expertly designed to minimize visibility and blend into environment while maintaining strength and stability
- Easy to install



SPRINKLER SUPPORTS

Secure sprinkler system components in place with our range of supports and tools. Secure systems even in tough soils to control pipe movement and prevent damage of sprinkler heads.

TREE SUPPORTS

Secure and protect newly planted trees with our wide range of tree supports including our popular Cinch-Tie and Twist Brace supports. Made of UV resistant vinyl to maintain strength over time.

CINCH-TIE TREE SUPPORTS
UV Resistant Flexible Vinyl

Used to single or double stake a tree. Sold in bundles of 100.

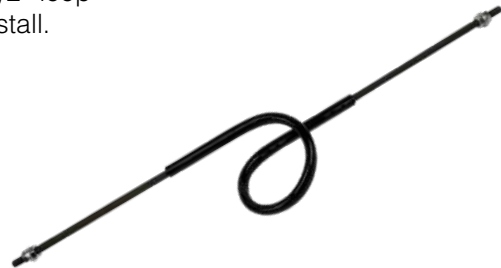
CT24 24" long, for staking of 5-15 Gallon Tree

CT32 32" long, for staking of 24" Box Tree

**TWIST-BRACE TREE SUPPORTS**
Nail Bracket Style

Used in high-wind situations. 5/16" round metal rod with a 4 1/2" loop encased in UV resistant vinyl tubing. Reusable and easy to install.

TB24 24" long, for staking 5-15 gallon to 24" box trees

**TWIST-BRACE TREE SUPPORTS**
Bolt Style

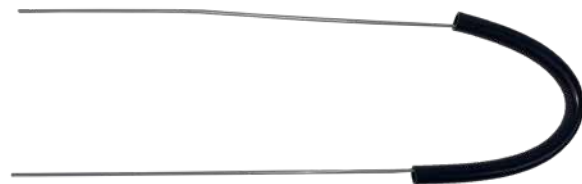
Used in high-wind situations. 1/2" round metal rod with a 4 1/2" loop encased in UV resistant vinyl tubing. Reusable and easy to install.

TB36 36" long, for staking 24"-36" box trees

HOSE & WIRE TREE SUPPORTS

12 Gauge galvanized wire encased in 10 1/2" long UV resistant vinyl tubing. Sold in bundles of 100.

HW36 36" long, for staking 24" box trees



PIPE STABILIZER

Use between the sprinkler heads to used between the sprinkler heads to control the movement of the pipe. The vinyl covered double "J" secures pipe to ground. The vertical striking area provides good penetration of even the toughest soils prevents damage to "J" hook during installation.

PS18 18" Pipe Stabilizer

**SPRINKLER STABILIZER**

Use to secure pipe and sprinkler heads to prevent movement, vandalism and damage. The vinyl covered double "J" secures the pipe to the ground and the steel shaft at the top gives the sprinkler head additional support. Allows good penetration even in tough soils.

SS24 24" Sprinkler Stabilizer

**SPRINKLER TIE**

Use to secure the sprinkler head to the Sprinkler Stabilizer. Sold in packs of 50.

ST9 9" Sprinkler Tie for shrubs

**RATCHET TOOL FOR SPRINKLER TIES**

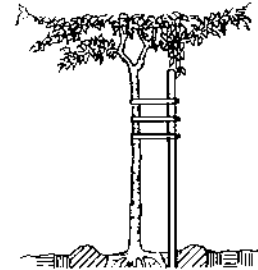
Twists the Sprinkler Tie tightly against the stake which reduces labor by 50% or more.

RT Sprinkler Tie Installation Tool

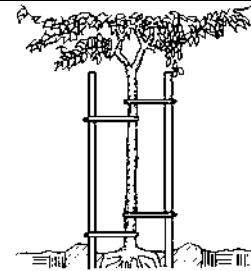


INSTALLATION DETAILS**CINCH-TIE®****MODELS: CINCH-TIE 24", CINCH-TIE 32"****HOW TO USE CINCH-TIES****Single Stake**

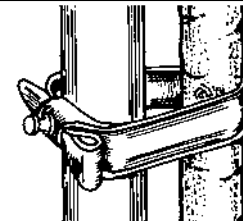
A single stake should be placed on the side of the prevailing wind. The tree should be supported with a minimum of two Cinch-Ties. Use either the Standard or Figure Eight tying method.

**Double Stakes**

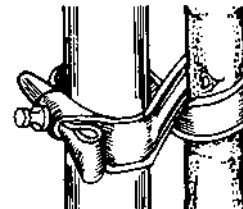
One stake should be placed on the side of the prevailing wind with the other stake on the opposite side of the tree. The tree should be supported with four Cinch-Ties to assure a straight, firm position. Use either the Standard or Figure Eight tying method.

**Standard Tie**

Wrap Cinch-Tie around the tree trunk and the stake to form a loop. Tie with the double-back locking configuration. Secure with a galvanized nail driven through the Cinch-Tie and into the stake to prevent slippage.

**Figure Eight Tie**

Wrap Cinch-Tie around the tree trunk and the stake twisting to form a figure eight. Tie with the double-back locking configuration. Secure with a galvanized nail driven through the Cinch-Tie and into the stake to prevent slippage.

**SPECIFICATIONS**

Cinch Ties are made of virgin flexible vinyl in the color black for ultraviolet resistance. The tie includes a double back locking configuration and is secured with one galvanized nail to prevent

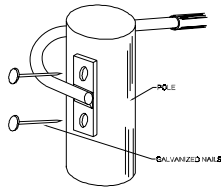
slippage. This product meets ASTM-D-412 standards for tensile and elongation strength to prevent damage to trees.

INSTALLATION DETAILS

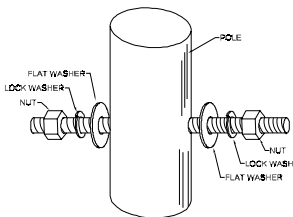
TWIST BRACE®

MODELS: NAIL BRACKET STYLE, BOLT STYLE

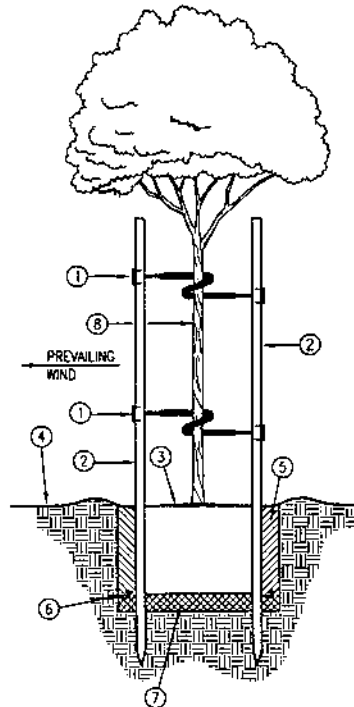
Mounting Methods



Nail Bracket Style is designed to be nailed directly to lodge poles or square stakes. (TB 24)



Bolt Style is designed for through pole installation using either galvanized pipe or lodge pole pines. Threaded ends are inserted through drilled holes and bolted securely. (TB 36)



1. V.I.T. Twist Brace—secure to each pole
2. 2" dia. lodge pole pine tree stake
3. Depressed watering basin remove from turf areas during finish grading
4. Finish grade
5. Backfill mix per specs
6. Plant packets per specs
7. Compacted backfill mix per specs
8. Tree

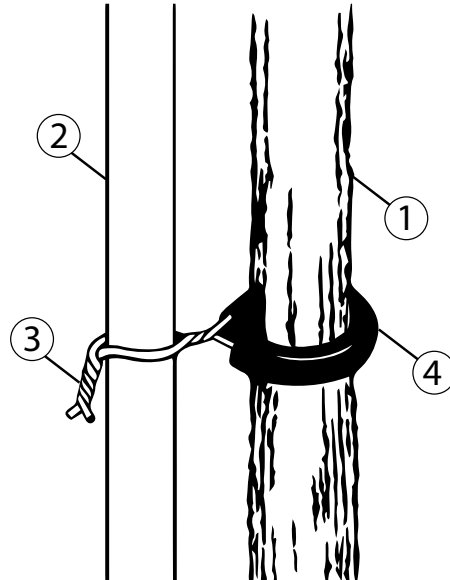
MODEL	LOOP	LENGTH	SUGGESTED FOR	SUGGESTED POLE
TB 24	4-1/2-INCH	24"	5 gallon - 24" box trees	
TB 36	4-1/2-INCH	36"	24"-36" box trees	2" x 10"

SPECIFICATIONS

The Twist Brace is a 5/16-inch round metal rod encased in black ultraviolet resistant vinyl. The rod is to be bent in a 360° circle and placed around the trunk of the tree. As the tree is enclosed in the circle, the braces should twist at right angles to the trunk.

The **Nail Bracket Style Twist Brace** includes mounting plates with nail holes for both square and round stakes. Exposed metal ends are treated with a rust inhibiting coating.

The **Bolt Style Twist Brace** includes threaded ends that insert through the drilled holes in a stake or pole and secured with nuts, lock washers, and flat washers.

INSTALLATION DETAILS**HOSE & WIRE SUPPORT****MODELS: HW36**

1. Tree
2. Support Pole
3. 12 gauge galvanized twist wire
4. UV resistant protective tubing

SPECIFICATIONS

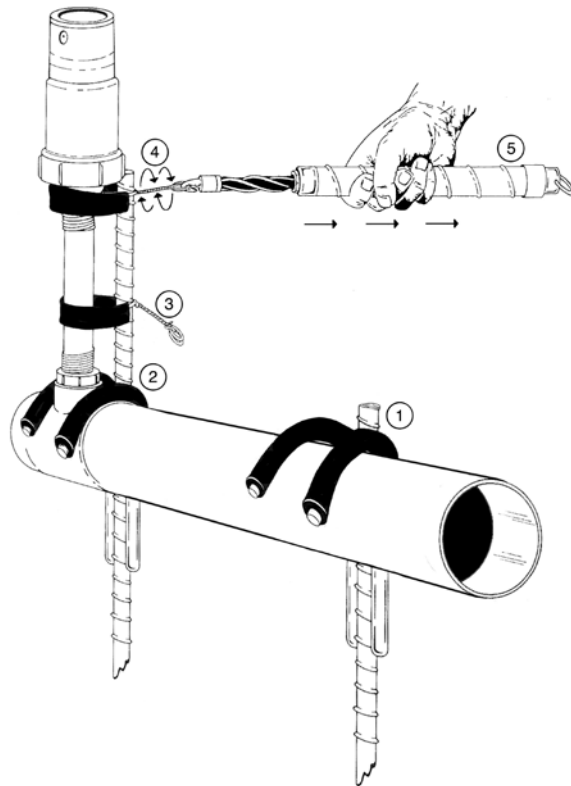
The hose and wire tree support is a fast and simple way to single stake newly planted trees. 36 inches of 12 gauge galvanized wire is encased in 10 1/2" long UV resistant vinyl tubing to

ensure long lasting strength. To use, wrap protective vinyl tubing around tree and twist wire 2-3 times to ensure a secure fit. Wrap remaining wire around

support pole and twist until completely secured.

INSTALLATION DETAILS

SPRINKLER TIES & STABILIZERS



1. Pipe Stabilizer
2. Sprinkler Stabilizer
3. Sprinkler Tie
4. Sprinkler Tie
5. Ratchet Tool automatic twister

SPECIFICATIONS

Pipe Stabilizer- Used in between sprinkler heads to control movement of the pipe. The vertical striking area provides sufficient penetration in even the toughest soils and minimizes the above ground exposure. Since the hammer only touches the vertical metal, the rounded J hook is untouched and damage is avoided. Vinyl covered J hooks shall protect the pipe from damage.

Sprinkler Stabilizer- Used to secure pipe and sprinkler heads to prevent movement, vandalism and damage. The vertical metal provides area to drive the stabilizer into the soil. The vinyl covered J hooks secure the pipe to the ground while the steel shaft at the top gives the sprinkler head additional support.

Sprinkler Ties- Used to secure the sprinkler to the Sprinkler Stabilizer. The unique design allows fast installation while producing a strong bond

between the stake and the sprinkler head. The stainless steel wire and the vinyl covering produces a secure solution to attaching sprinklers to the stakes.

Ratchet Tool- Installation tool providing a solid grip. Attach the Ratchet Tool hook into the eyelets of the Sprinkler Tie and pull back. The twisting action is unique to the tool. This secures the sprinkler against the stake. The Ratchet Tool is designed to spin wires to tighten.

Irrigation Enclosure FAQs

1) Q: What materials are StrongBox Enclosures made of?

A: StrongBox Irrigation enclosures are made of 100% stainless steel for long term rust-proof durability.

2) Q: Which enclosure will fit my irrigation controller?

A: View our helpful Controller Size chart on pages 12-13.

3) Q: Do the enclosures accept padlocks?

A: Yes, all access points can be locked with a padlock.

4) Q: How do I install a StrongBox enclosure?

A: Enclosures can be installed into fresh concrete or by using our QuickPad™ mounting system. QuickPad™ mounting system includes a mounting pad and support base that is securely attached to the bottom of the enclosure and buried for a stable, vandal resistant installation with no concrete needed. To learn more and view complete installation instructions for each product, visit strongbox.com

5) Q: Can I customize my StrongBox enclosure?

A: StrongBox standard products cannot be modified. However, we do offer a full line of custom NEMA 4X wall mount enclosures and various add-ons for OEM customers. Contact sales@strongbox.com for details.

6) Q: Are the pedestals pad-lockable?

A: Yes, all access points include provisions for pad-lock.

7) Q: Can StrongBox pedestal bases be used to replace existing Caltrans Type III-BF installations?

A: Yes, our CSP meter pedestal is compatible with Type II-BF specifications and should fit in any existing 16"x16" footprint.

Backflow Enclosure FAQs

1) Q: What size enclosure do I need to fit my backflow device?

A: View our helpful Backflow size chart on pages 28-29.

2) Q: What materials are StrongBox Backflow Enclosures made of?

A: StrongBox offers Stainless Steel and Cold Rolled Steel cages as well as Aluminum enclosures for backflow prevention devices. All enclosures use 100% stainless steel hardware.

3) Q: What color do the backflow cages come in? Can I get other colors?

A: Yes! StrongBox Cold Rolled cages come standard with a forest green plasti-coat. Stainless Steel and Aluminum enclosures come with a natural finish. However, we do offer powder coating in a wide range of RAL colors for an additional charge.

Meter Pedestal FAQs

1) Q: Are StrongBox meters approved for use in my city?

A: StrongBox pedestals are EUSERC compliant and approved by many utilities across the U.S. If you're unsure, contact our sales team. We are also happy to work with you and your local utility to gain approval if we are not already specified.

2) Q: What kinds of electrical options do you offer?

A: StrongBox offers a wide range of voltage, amperage and configuration options up to 200 amps. We also offer un-metered service pedestals if you'd like to use your own electrical components.

3) Q: What brand of breakers do you use in your meters?

A: StrongBox uses Siemens branch breakers for the majority of our meter products.

4) Q: What materials are the pedestals made of?

A: All StrongBox meter pedestals are made with 100% stainless steel for long term rust proof durability.

5) Q: Do you offer painting or powder coating for meter pedestals?

A: Yes, StrongBox offers durable powder coating in a wide range of RAL colors.

6) Q: Are the pedestals pad-lockable?

A: Yes, all access points include provisions for pad-lock.

7) Q: Can StrongBox pedestal bases be used to replace existing Caltrans Type III-BF installations?

A: Yes, our CSP meter pedestal is compatible with Type II-BF specifications and should fit in any existing 16"x16" footprint.

	VANDAL RESISTANCE	WEATHER RESISTANCE	HEAT DISSIPATION	AESTHETICS
STAINLESS STEEL	 Scratch resistant Graffiti easily removed	 Impervious to corrosion	 High reflective value minimizes internal temps	 Blends into environment Finish never fades
CARBON STEEL	 Easily scratched Graffiti requires repaint	 Requires protective coating and continuous maintenance	 Poor reflective value unless painted light color	 Finish can fade and rust over time
FIBERGLASS	 Easily scratched Graffiti removal damages finish	 High heat and moisture can cause material breakdown	 No ventilation Slow heat dissipation	 Color fades with UV exposure

	CORROSION RESISTANCE	STRENGTH	ABILITY TO CUSTOMIZE
MARINE GRADE ALUMINUM	 Exceptional corrosion resistance, even in salt water environments and in alkaline soils	 High strength value Resistant to fatigue	 Exceptional workability Easy to cut, weld and form
STANDARD ALUMINUM	 Pitting and corrosion is common Corrosion can weaken material over time	 Naturally soft and ductile with a low strength value Can fatigue/ weaken over time	 Easy to cut, weld and form