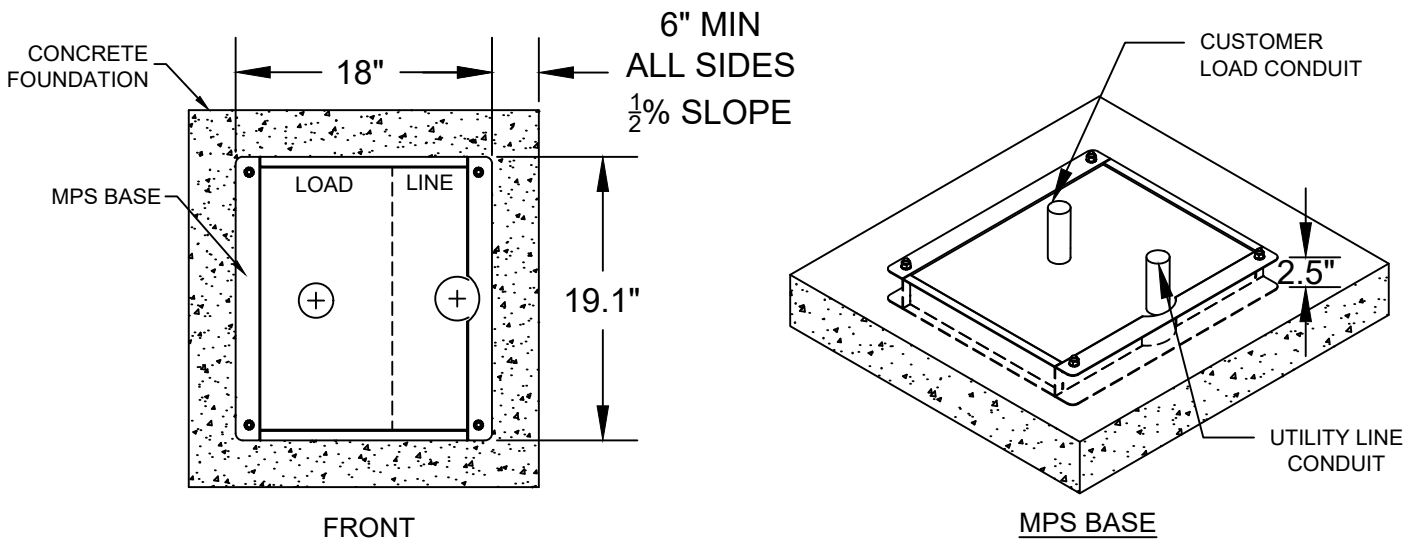
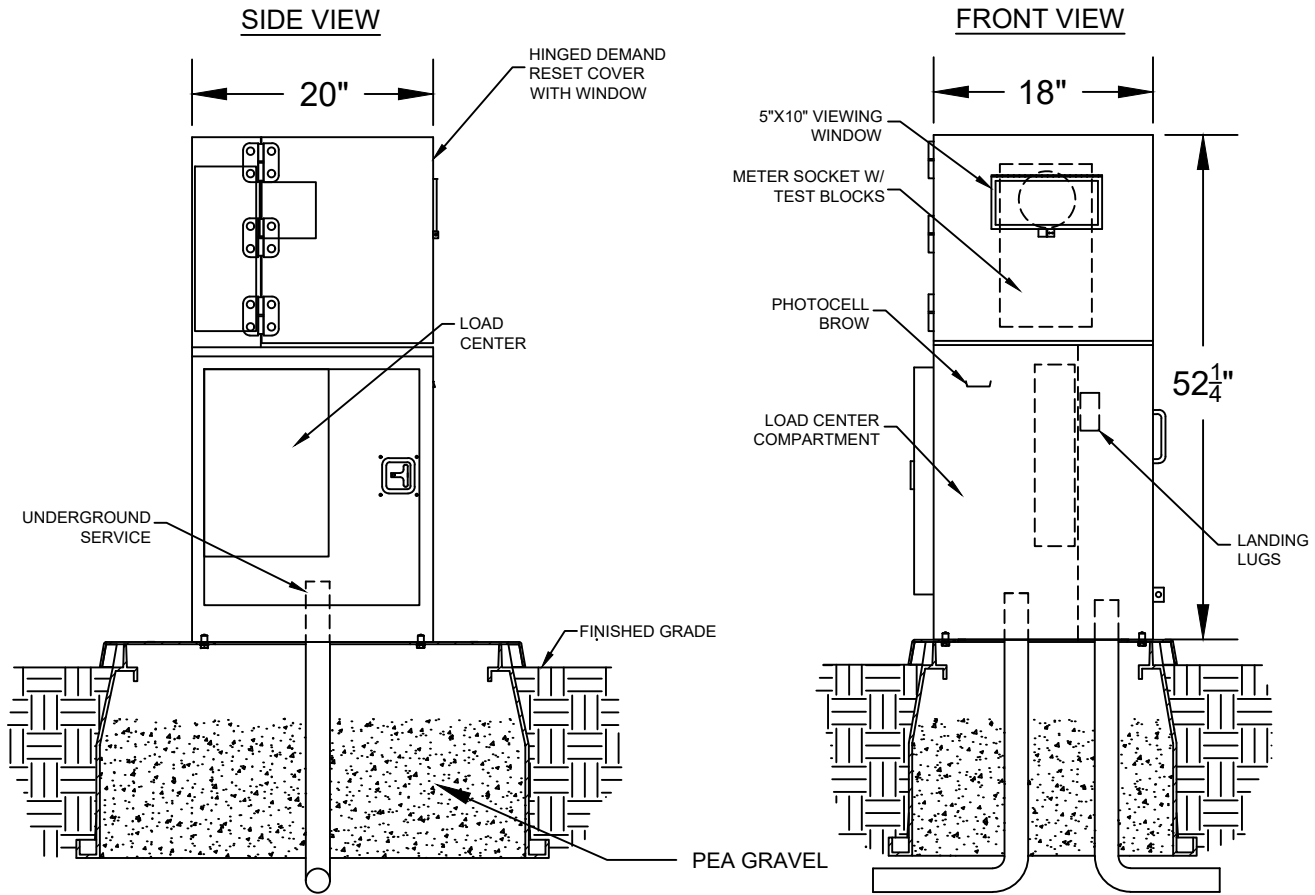


ATTENTION METER PEDESTAL INSTALLATION

CONCRETE SHALL BE A MINIMUM OF 6" DEEP INTO SOIL FOR EVEN WEIGHT DISTRIBUTION AND A MINIMUM OF 6" LARGER ON ALL SIDES TO PROVIDE FOR RUNOFF, AS WELL AS STABILITY. FOR SERIES PEDESTALS THE MINIMUM PAD DIMENSIONS ARE 30" LONG X 32" WIDE AND 6" DEEP.





****ATTENTION** METER PEDESTAL INSTALLATION**

EXCAVATE A HOLE AROUND CONDUITS LARGE ENOUGH TO RECEIVE SUPPORT BOX WITH CONDUITS UNDERNEATH. THE SOIL GRADE SHOULD BE 2" BELOW THE TOP OF SUPPORT BOX. BACKFILL AND PACK FIRMLY AROUND THE SUPPORT BOX.

LINE UP AND ATTACH REINFORCED PAD TO SUPPORT BOX WITH BOLTS AND NUT PLATE. ATTACH ENCLOSURE TO PAD. SUPPORT BOX SHOULD BE FILLED HALF WAY WITH PEA GRAVEL TO MINIMIZE RODENT AND MOISTURE ISSUES.

