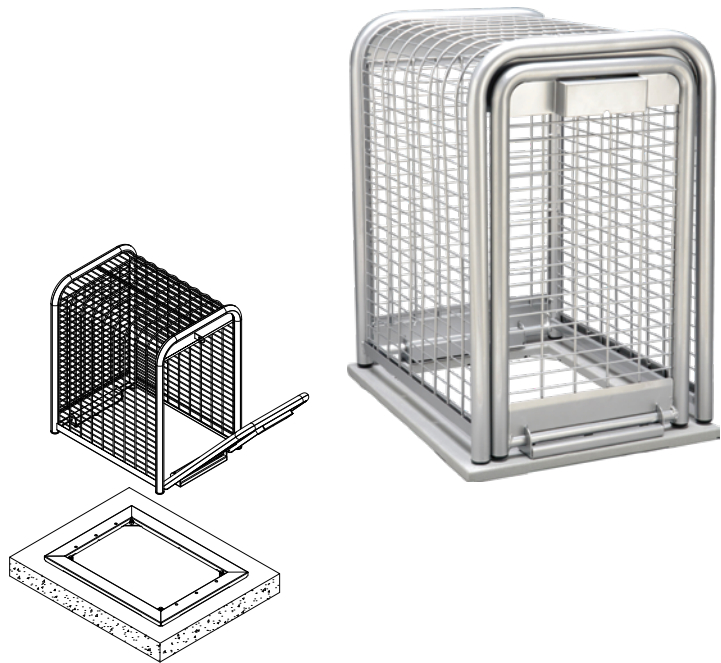


**Smooth Touch™
Front Entry Cage**

	Width	Height	Depth
SBBC-22SS	23"	28"	18"
SBBC-30SS	30"	28"	18"
SBBC-45SS	45"	28"	18"
SBBC-20SS	21"	49"	18"

Note: For inside dimensions, see Backflow Cover Sizing Chart on pages 28-29.

- 100% stainless steel
- Patented locking system accepts padlock
- Minimal surface area deters graffiti
- Special colors are also available to meet city specifications.
- ASSE 1060 Rated
- 10 year limited warranty



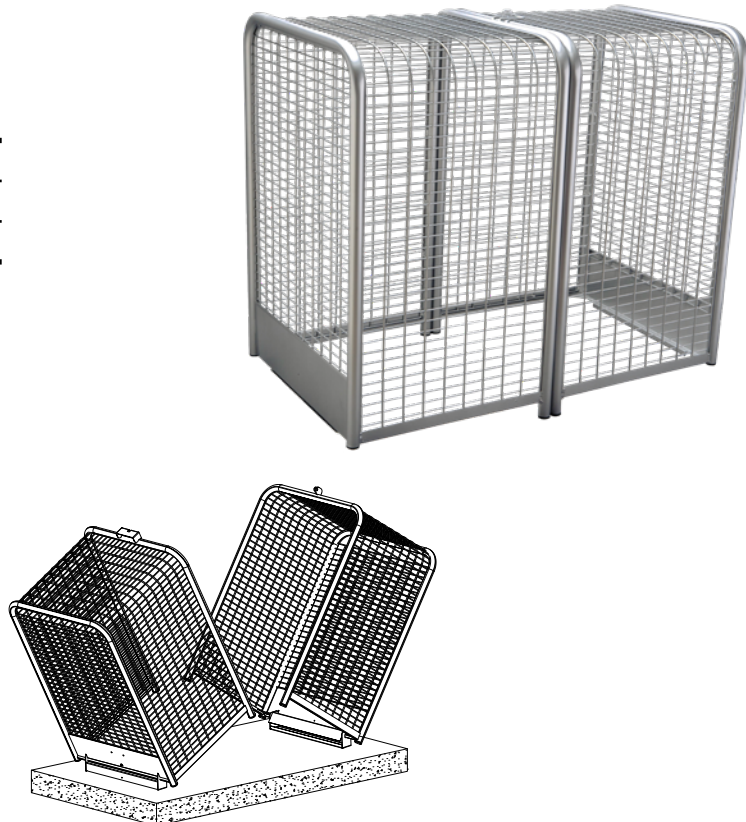
SPECIFICATIONS ON PAGE 34

**Smooth Touch™
Clamshell Entry Cage**

	Width	Height	Depth
SBBC-40SS	45"	39"	26"
SBBC-60SS	61"	39"	26"
SBBC-75SS	78"	39"	26"

Note: For inside dimensions, see Backflow Cover Sizing Chart on pages 28-29.

- 100% stainless steel
- Patented locking system accepts padlock
- Minimal surface area deters graffiti
- Special colors are also available to meet city specifications.
- ASSE 1060 Rated
- 10 year limited warranty



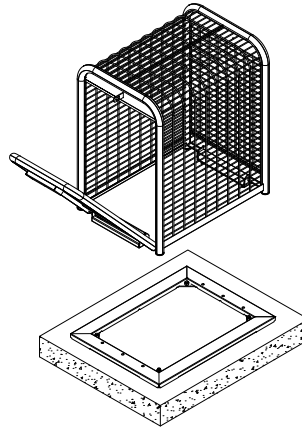
SPECIFICATIONS ON PAGE 35

**Smooth Touch™
Front Entry Cage**

	Width	Height	Depth
SBBC-22CR	23"	28"	18"
SBBC-30CR	30"	28"	18"
SBBC-45CR	45"	28"	18"

Note: For inside dimensions, see Backflow Cover Sizing Chart on pages 28-29.

- Powder coated with a polyester TGIC coating
- Stainless steel hardware
- Patented locking system accepts padlock
- Minimal surface area deters graffiti
- ASSE 1060 Rated
- 1 year limited warranty



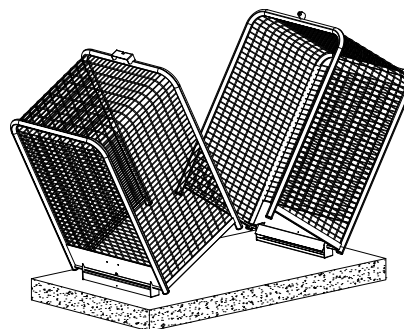
SPECIFICATIONS ON PAGE 36

**Smooth Touch™
Clamshell Entry Cage**

	Width	Height	Depth
SBBC-40CR	45"	39"	26"
SBBC-60CR	61"	39"	26"
SBBC-75CR	78"	39"	26"

Note: For inside dimensions, see Backflow Cover Sizing Chart on pages 28-29.

- Powder coated with a polyester TGIC coating
- Stainless steel hardware
- Patented locking system accepts padlock
- Minimal surface area deters graffiti
- ASSE 1060 Rated
- 1 year limited warranty

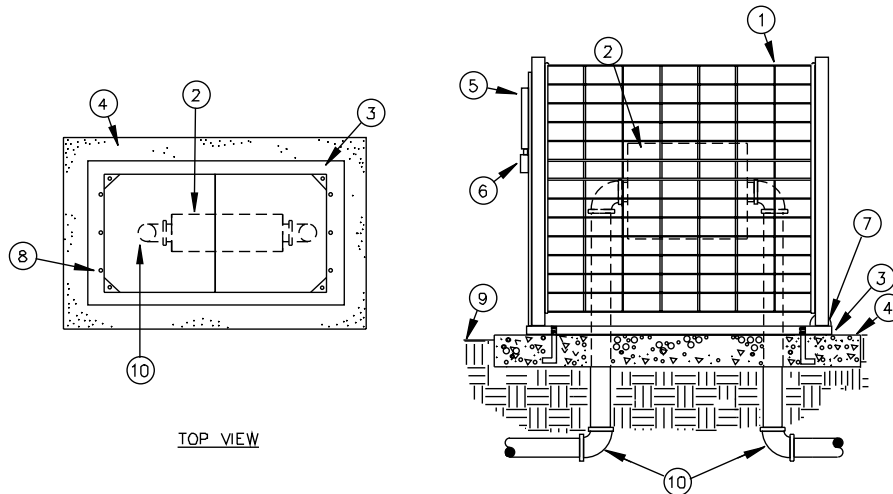


SPECIFICATIONS ON PAGE 37

SMOOTH TOUCH™ FRONT ENTRY CAGE

**MODELS: SBBC-22SS, SBBC-30SS,
SBBC-45SS, SBBC-20SS**

INSTALLATION DETAILS



- | | |
|---|--|
| <ol style="list-style-type: none"> 1. Smooth Touch Backflow Cover 2. Backflow Preventer 3. Anchor Base Mount 4. Poured Concrete Base – 6” min. thickness extend 4” beyond outside of enclosure 5. Enclosure Locking Swing Door (door mounted to anchor base) | <ol style="list-style-type: none"> 6. Padlock Protective Cover 7. Enclosure Swivel Point – attached to mounting base in 6 places 8. Enclosure Mounting Base Studs. 3/8” x 3/4” 9. Finish Grade 10. Water Service Piping |
|---|--|

SPECIFICATIONS

This backflow cage is a vandal and weather resistant enclosure formed from stainless steel tubing and rod that is finished with a high-performance polymer coating. All locking and mounting hardware is manufactured entirely of stainless steel. The frame of the enclosure is constructed of 1-1/4 inch tubing, including the drop-down door which inserts into the open end of the frame.

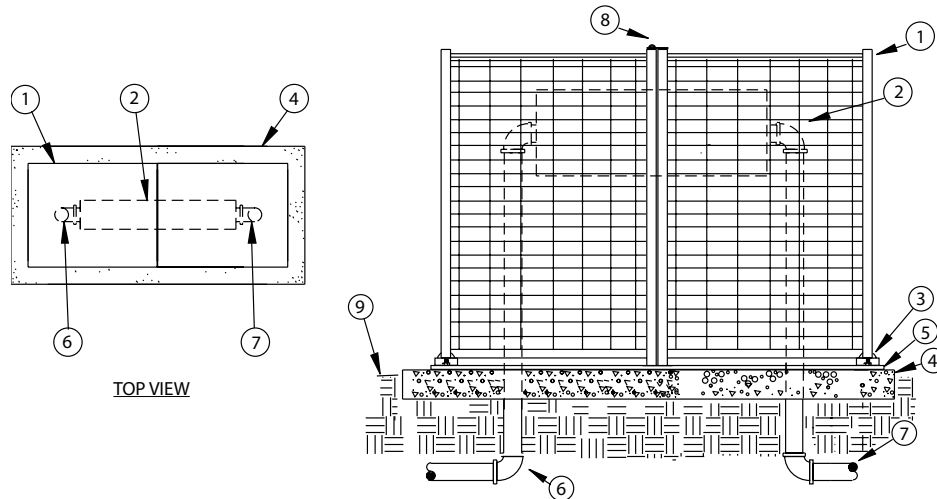
The top, sides, and end panels are constructed of vertical (3/16 inch thick) and horizontal (1/8 inch thick) rods that are welded together to form a grid pattern with 1 x 2 inch rectangular openings. The grid is then welded onto the tube frame with half inch welds placed no more than 4 inches apart. The mounting base uses four 3/8 inch L-bolt anchors secured a minimum of 2 inches deep into the

concrete pad. To open, the enclosure door drops down and the body lifts open, pivoting from the back edge mounted to the base. When closed, the concealed locking tab has a 7/16 inch hole to secure the enclosure to the door with a padlock. This cage is ASSE 1060 Class III rated.

SMOOTH TOUCH™ CLAMSHELL ENTRY CAGE

**MODELS: SBBC-40SS, SBBC-60SS,
SBBC-75SS**

INSTALLATION DETAILS



- | | |
|---|--|
| <ol style="list-style-type: none"> 1. Smooth Touch Backflow Cover 2. Backflow Preventer 3. Secured Swivel Mounting Plates 4. Poured Concrete Base – 6" min. thickness extend 4" beyond outside of enclosure | <ol style="list-style-type: none"> 5. SBBC Mounting Base – fastened or anchor bolted to concrete 6. Water Service Outlet Piping 7. Water Service Inlet Piping 8. Padlock Locking Hasp 9. Finish Grade |
|---|--|

SPECIFICATIONS

This backflow cage is a vandal and weather resistant enclosure formed from stainless steel tubing and rod that is coated in a high-performance polymer coating. All locking and mounting hardware is manufactured entirely of stainless steel. The frame of the enclosure is constructed of 1-1/4 inch tubing. The top, sides, and end panels are constructed of

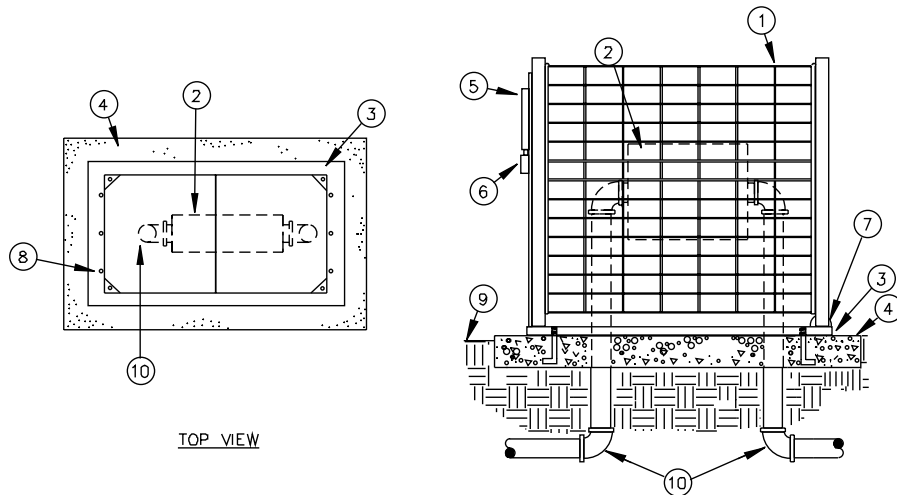
vertical (3/16 inch thick) and horizontal (1/8 inch thick) rods that are welded together to form a grid pattern with 1 x 2 inch rectangular openings. Anchor bolts should be submerged into concrete a minimum of 2 inches, positioning the enclosure 1-1/2 inches above the surface of concrete for drainage purposes. The center split design allows enclosure sides

to flip up, pivoting on the mounting hardware at each end. Vandal proof brackets and a pad-lockable hasp ensures maximum security while cage is closed. This cage is ASSE 1060 Class III rated.

SMOOTH TOUCH™ FRONT ENTRY CAGE

MODELS: SBBC-22CR, SBBC-30CR,
SBBC-45CR

INSTALLATION DETAILS



- | | |
|---|---|
| <ol style="list-style-type: none"> 1. Smooth Touch Backflow Cover 2. Backflow Preventer 3. Anchor Base Mount 4. Poured Concrete Base – 6” min. thickness extend 4” beyond outside of enclosure 5. Enclosure Locking Swing Door (door mounted to anchor base) | <ol style="list-style-type: none"> 6. Padlock Protective Cover 7. Enclosure Swivel Point – attached to mounting base in 6 places 8. Enclosure Mounting Base Studs 3/8” x 3/4” 9. Finish Grade 10. Water Service Inlet Piping |
|---|---|

SPECIFICATIONS

This backflow cage is a vandal and weather resistant enclosure formed from cold rolled steel tubing and rod that is powder coated with a polyester TGIC coating having a minimum thickness of 2.5 mils. All locking and mounting hardware is manufactured entirely of stainless steel. The frame of the enclosure is constructed of 1-1/4 inch tubing, including the drop-down door which inserts into

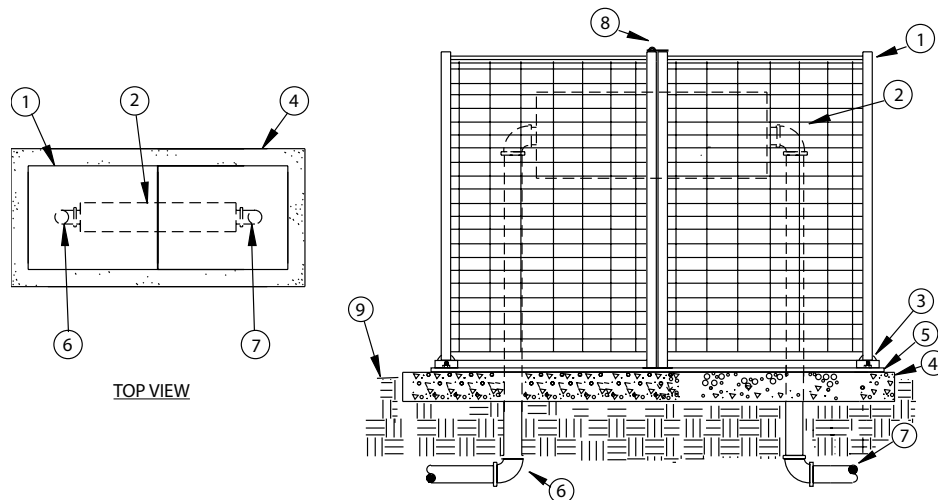
the open end of the frame. The top, sides and end panels are constructed of vertical (3/16 inch thick) and horizontal (1/8 inch thick) rods that are welded together to form a grid pattern with 1 x 2 inch rectangular openings. The grid is then welded onto the tube frame with half inch welds placed no more than 4 inches apart. The mounting base uses four 3/8 inch L-bolts that are to be

secured a minimum of 2 inches deep into the concrete pad. The backflow cage remains bolted to the base in both open and closed positions. To open, the enclosure door drops down and the body lifts open, pivoting from the back edge mounted to the base. When closed, the concealed locking tab has a 7/16 inch hole to secure the enclosure and door with a padlock. This cage is ASSE 1060 Class III rated.

**SMOOTH TOUCH™
CLAMSHELL ENTRY CAGE**

**MODELS: SBBC-40CR, SBBC-60CR,
SBBC-75CR**

INSTALLATION DETAILS



- | | |
|--|--|
| <ol style="list-style-type: none"> 1. Smooth Touch Backflow Cover 2. Backflow Preventer 3. Secured Swivel Mounting Plates 4. Poured Concrete Base – 6” minimum thickness – extend 4” beyond outside of enclosure | <ol style="list-style-type: none"> 5. SBBC Mounting Base – fastened or anchor bolted to concrete 6. Water Service Outlet Piping 7. Water Service Inlet Piping 8. Padlock Locking Hasp 9. Finish Grade |
|--|--|

SPECIFICATIONS

This backflow cage is a vandal and weather resistant enclosure formed from cold rolled steel tubing and rod that is powder coated with a polyester TGIC coating having a minimum thickness of 2.5 mils. All locking and mounting hardware is manufactured entirely of stainless steel. The frame of the enclosure is constructed of 1-1/4 inch tubing. The top, sides, and end

panels are constructed of vertical (3/16 inch thick) and horizontal (1/8 inch thick) rods that are welded together to form a grid pattern with 1 x 2 inch rectangular openings. Anchor bolts should be submerged into concrete a minimum of 2 inches, positioning the enclosure 1-1/2 inches above the surface of concrete for drainage purposes. The center split

design allows enclosure sides to flip up, pivoting on the mounting hardware at each end. Vandal proof brackets and a pad-lockable hasp ensures maximum security while cage is closed. This cage is ASSE 1060 Class III rated.