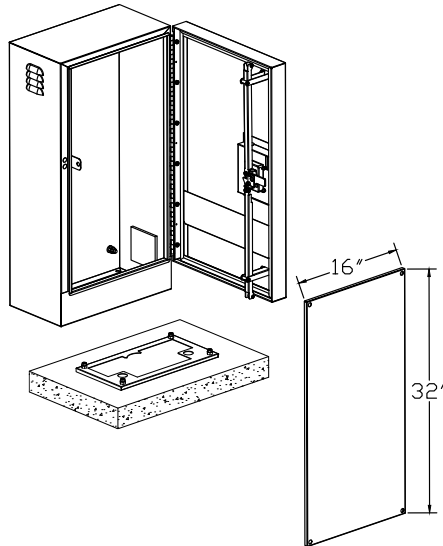


**SB-18SS
Front Entry Enclosure**

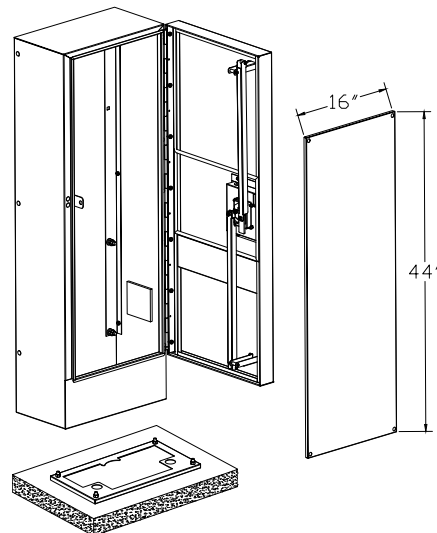
- 19" Wide, 36" High, 12" Deep
- Three point locking door
- Padlock security provisions
- Mounting template and J bolt anchors included
- Pre-drilled removable backboard included
- NEMA TYPE 3R Weatherproof

SPECIFICATIONS ON PAGE 14**PED-18SS
Riser Pedestal**

- 19" Wide, 12" High, 10" Deep
- Stainless Steel
- Hardware installed

**SB-1852SS
Service Pedestal
Companion Enclosure**

- 18" Wide, 52" High, 12" Deep
- Three point locking door
- Padlock security provisions
- Mounting template and J bolt anchors sold separately
- Pre-drilled removable backboard included
- NEMA TYPE 3R Weatherproof

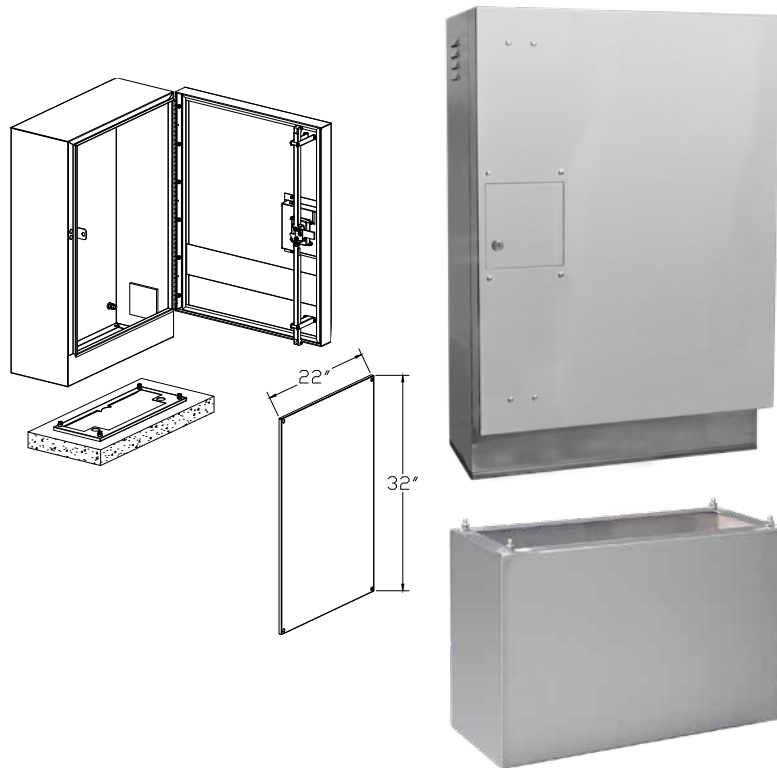
SPECIFICATIONS ON PAGE 14**PT-TEMP1852**

- 18" Wide, 10" Deep
- Mounting template and hardware

SB-24SS Front Entry Enclosure

- 25" Wide, 36" High, 12" Deep
- Three point locking door
- Padlock security provisions
- Mounting template and J bolt anchors included
- Pre-drilled removable backboard included
- NEMA TYPE 3R Weatherproof

SPECIFICATIONS ON PAGE 14



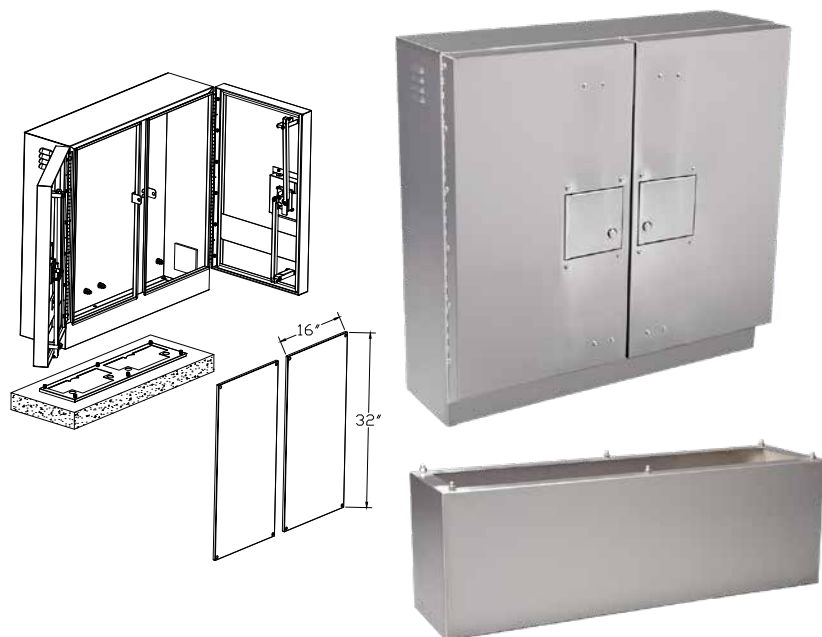
PED-24SS Riser Pedestal

- 25" Wide, 12" High, 10" Deep
- Stainless Steel
- Hardware installed

SB-36SS Double Door Enclosure

- 37" Wide, 36" High, 12" Deep
- Three point locking door
- Padlock security provisions
- Mounting template and J bolt anchors included
- Two pre-drilled removable backboards included
- NEMA TYPE 3R Weatherproof

SPECIFICATIONS ON PAGE 14

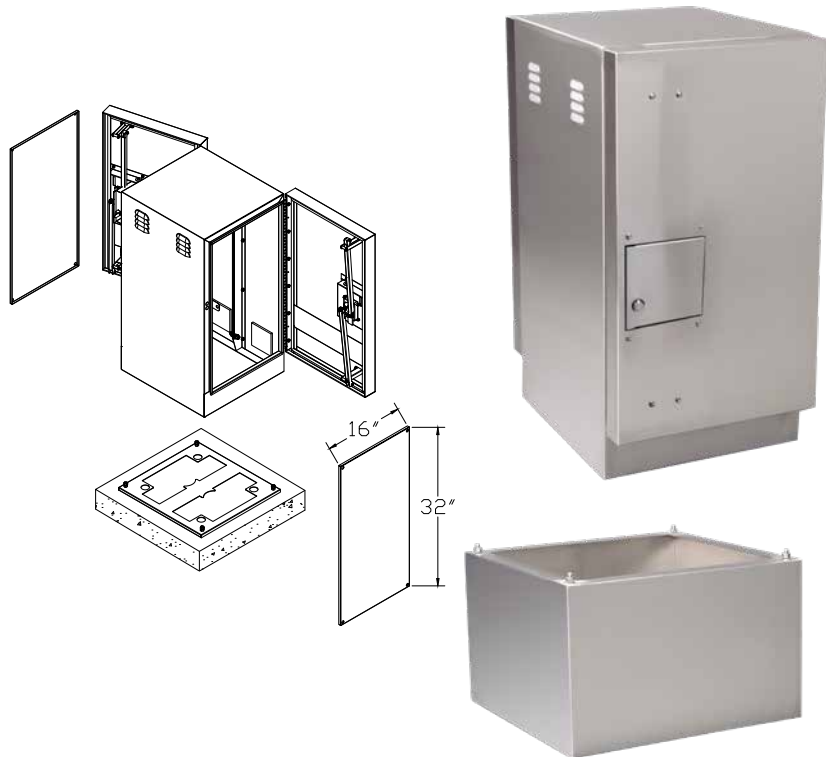


PED-36SS Riser Pedestal

- 37" Wide, 12" High, 10" Deep
- Stainless Steel
- Hardware installed

**SB-18DSS
Dual Entry Enclosure**

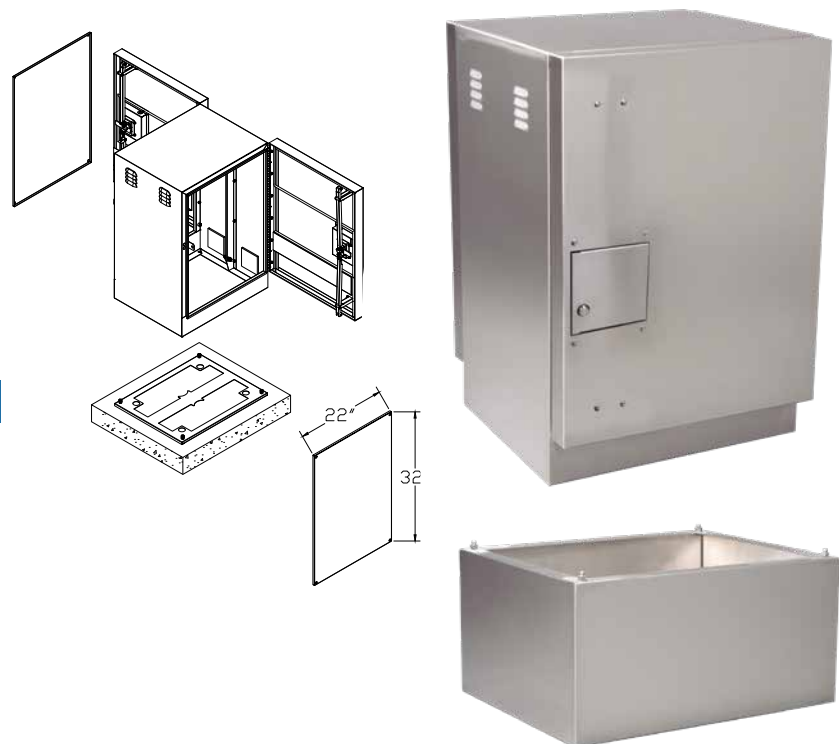
- 19" Wide, 36" High, 24" Deep
- Three point locking door
- Padlock security provisions
- Mounting template and J bolt anchors included
- Pre-drilled removable backboard included
- NEMA TYPE 3R Weatherproof

SPECIFICATIONS ON PAGE 14**PED-18DSS
12" Riser Pedestal**

- 19" Wide, 12" High, 19" Deep
- Stainless Steel
- Hardware installed

**SB-24DSS
Dual Entry Enclosure**

- 25" Wide, 36" High, 24" Deep
- Three point locking door
- Padlock security provisions
- Mounting template and J bolt anchors included
- Pre-drilled removable backboard included
- NEMA TYPE 3R Weatherproof

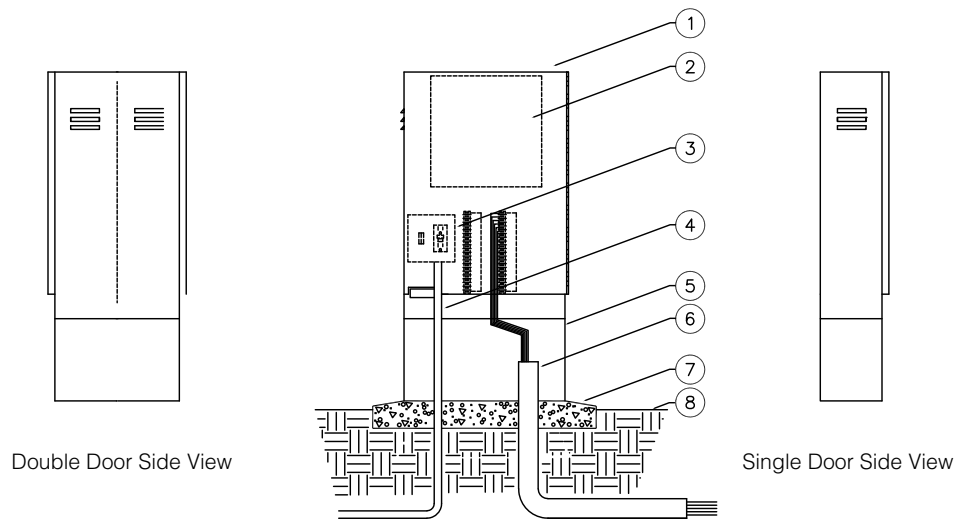
SPECIFICATIONS ON PAGE 14**PED-24DSS
12" Riser Pedestal**

- 25" Wide, 12" High, 19" Deep
- Stainless Steel
- Hardware installed

INSTALLATION DETAILS

FRONT ENTRY ENCLOSURE

**MODELS: SB-18SS, SB-1852SS, SB-18DSS,
SB-24SS, SB-24DSS, SB-36SS**



- | | |
|---|--|
| <ol style="list-style-type: none"> 1. Controller enclosure 2. Automatic controller 3. Controller sub-assembly (CSA) includes GFI & terminal strips with placards 4. 120 volt service in conduit 5. Optional pedestal riser | <ol style="list-style-type: none"> 6. PVC conduit out to control valves 7. Poured concrete base, 6" min. thickness extending 4" beyond outside dimensions of enclosure with 1/2% slope for drainage 8. Finish grade |
|---|--|

SPECIFICATIONS

This front entry enclosure is a vandal and weather resistant enclosure formed entirely of 304 grade stainless steel. The enclosure body is 14 gauge and the door is 16 gauge. The main housing is louvered to allow for cross flow ventilation with filter screens to deflect against water spray, insects and dust. A removable stainless steel

backboard is provided for mounting various types of equipment and is secured with four stainless steel bolts. The door is hemmed to eliminate sharp edges and secured with a stainless steel, continuous piano hinge and a three point locking mechanism with provisions for a padlock. A continuous drainage channel around all sides of door

face provides a water-tight seal with the tear drop shaped, hollow center, thermoplastic door seal. The inside door also provides adequate storage for instructions or plans. This enclosure is NEMA 3R rated and UL 508A listed.