

**MPS  
Meter Pedestal**

- 18" Wide, 52" High, 20" Deep
- Separate compartments with swing side top section
- Hinged viewing window for easy programming
- All access points include padlock provisions
- EUSERC 308 Compliant\*
- NEMA TYPE 3R Rated UL 508A Listed
- Anchor bolts included for installation
- 10 Year Limited Warranty
- Utility section houses landing lugs

**METER SECTION**

- Meter Socket: 4 or 7 Jaw; 100 to 200 Amp
- 120v, 208v and 240v Models available
- Meter Socket includes Test Blocks

**CUSTOMER SECTION**

- 5" Wide, 24" High, 8" Deep usable area
- 100-200 amp load center with up to 26 circuits

**SPECIFICATIONS ON PAGE 48****MPE  
Meter Pedestal with Enclosure SB-1852SS**

- 18" Wide, 52" High, 32" Deep
- Upgrade any MPS Model No. to an MPE
- Maximum storage with attached enclosure
- EUSERC 308 Compliant\*
- NEMA TYPE 3R Rated UL 508A Listed
- 10 Year Limited Warranty

**ENCLOSURE SECTION**

- Enclosure SB-1852SS addition (See Page 4)
- Removable backboard for mounting components
- Large door-mounted storage area
- Cross flow side louvers for ventilation

**SPECIFICATIONS ON PAGE 49**

\*EUSERC 308 Compliance does not include ringless configurations.

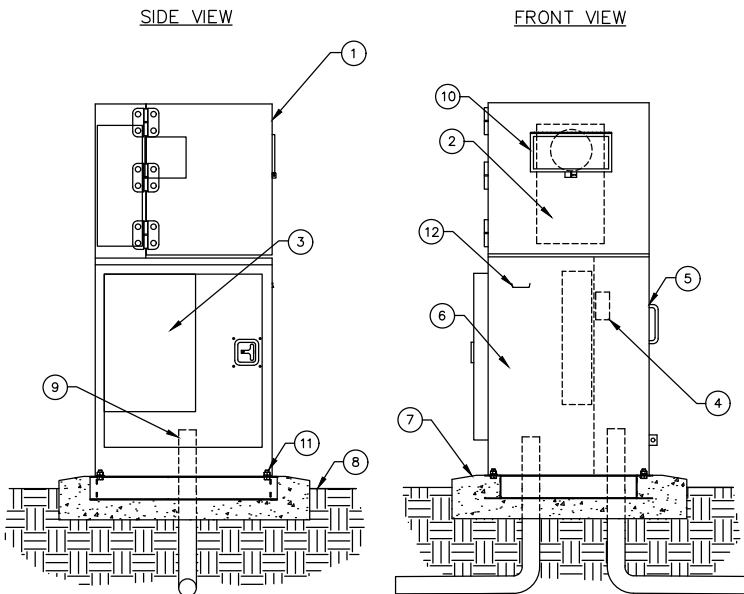
**MPS Standard Model Numbers**

	Model No	Main Amps	Voltage	Phase	Jaw	Wires	AIC Rating	Breaker Positions
<b>1 PHASE</b>	MPS-11016-10	100	120/240	1	4	3	10,000	16
	MPS-11016-22	100	120/240	1	4	3	22,000	16
	MPS-11016-65	100	120/240	1	4	3	65,000	16
	MPS-11026-65	100	120/240	1	4	3	65,000	26
	MPS-11226-22	125	120/240	1	4	3	22,000	26
	MPS-11226-65	125	120/240	1	4	3	65,000	26
	MPS-11526-22	150	120/240	1	4	3	22,000	26
	MPS-11526-65	150	120/240	1	4	3	65,000	26
	MPS-12016-22	200	120/240	1	4	3	22,000	16
	MPS-12016-65	200	120/240	1	4	3	65,000	16
	MPS-12026-22	200	120/240	1	4	3	22,000	26
	MPS-12026-65	200	120/240	1	4	3	65,000	26
<b>3 PHASE</b>	MPS-31018-10	100	120/208	3	7	4	10,000	18
	MPS-31018-22	100	120/208	3	7	4	22,000	18
	MPS-31018-65	100	120/208	3	7	4	65,000	18
	MPS-32024-10	200	120/208	3	7	4	10,000	24
	MPS-32024-22	200	120/208	3	7	4	22,000	24
	MPS-32024-65	200	120/208	3	7	4	65,000	24

T-Fuse available on select models. No-distribution options available upon request.

## INSTALLATION DETAILS

## MPS COMMERCIAL METER PEDESTAL



1. Hinged removable lid
2. Meter socket with test blocks
3. Load center
4. Landing lugs
5. Landing lug compartment
6. Load center compartment
7. Poured concrete base—6" min thickness—extend 6" beyond out side dimensions of enclosure with 1/2% slope for drainage
8. Finish grade
9. Underground service
10. Meter viewing window 5" x 10"
11. 3/8" stainless anchor bolts
12. Photo Cell with test switch (option)

## SPECIFICATIONS

This meter pedestal is a vandal and weather resistant enclosure formed entirely from stainless steel with a #4 brushed finish. The meter section is located at the top of the pedestal and houses a meter socket and test blocks. The top section uses a side swing style door to fully expose the meter compartment for ease of access to the meter and test blocks. The top is supported by 3 large stainless steel hinges with 1/4" "lift off" style pins that allow the top to

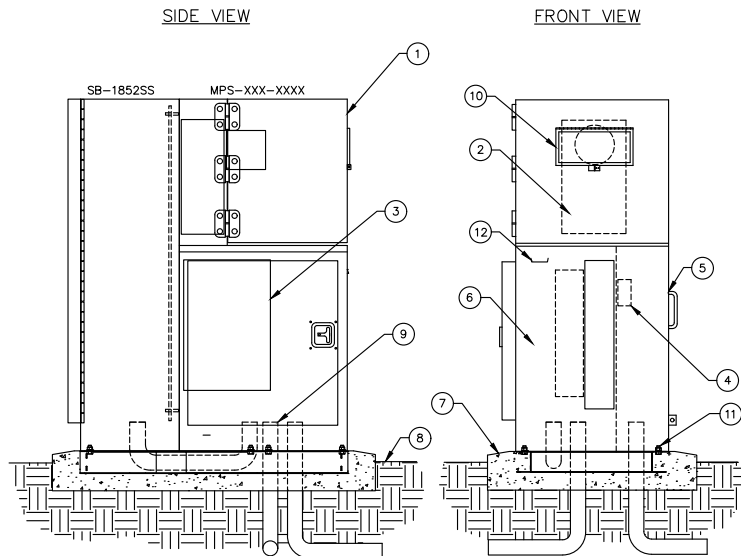
be completely removed if needed. A replaceable 5 x 10 inch, 3/16 inch-thick Lexan viewing window is provided. The utility compartment is located on the right side of the enclosure and houses the landing lugs. The 20 x 30 inch customer electrical compartment is located on the left side and is capable of housing up to a 26 circuit load center with a removable dead front protective panel. A stainless steel electrical backboard is

provided for ease of wiring and grounding of electrical components. The customer compartment is outfitted with a continuously welded and hemmed, stainless steel door that uses a T-handle latching system. All doors are equipped with watershed drainage channels and provisions for a padlock, ensuring a watertight and vandal resistant design. This enclosure is NEMA 3R rated and UL 508A listed.

## INSTALLATION DETAILS

## MPE

## METER PEDESTAL WITH ATTACHED ENCLOSURE



1. Hinged removable lid
2. Meter socket with test blocks
3. Load center
4. Landing lugs
6. Landing lug compartment
7. Poured concrete base—6" min. thickness—extend 6" beyond outside dimensions of enclosure with 1/2% slope for drainage
8. Finish grade
9. Underground service
10. Meter viewing window 2" x 4"
11. 3/8" stainless anchor bolts
12. Photo Cell with test switch (option)

## SPECIFICATIONS

This meter pedestal and enclosure combination is a vandal and weather resistant enclosure formed entirely from stainless steel with a #4 brushed finish. The meter section is located on the top of the pedestal and houses a meter socket and test blocks. The top section uses a side swing style door to fully expose the meter compartment for ease of access to the meter and test blocks. The top is supported by 3 large stainless steel hinges with 1/4" "lift off" style pins that allow the top to be completely removed. A replaceable 5 x 10 inch, 3/16 inch-

thick Lexan viewing window is provided for meter reading. The utility compartment is located on the right side of the enclosure and houses the landing lugs. The 20 x 30 inch customer electrical compartment is located on the left side and is capable of housing up to a 26 circuit load center with a removable dead front protective panel. A stainless steel electrical backboard is provided for ease of wiring and grounding of electrical components. The customer compartment is outfitted with a continuously welded and hemmed, stainless steel door that

uses a T-handle latching system. All doors are equipped with watershed drainage channels and provisions for a padlock, ensuring a watertight and vandal resistant design.

A SB-1852SS enclosure is attached to the back of the meter pedestal for additional storage and mounting additional electronic equipment. See Page 4 for specifications on the SB-1852SS. This metered pedestal and enclosure is NEMA 3R rated and UL 508A listed.